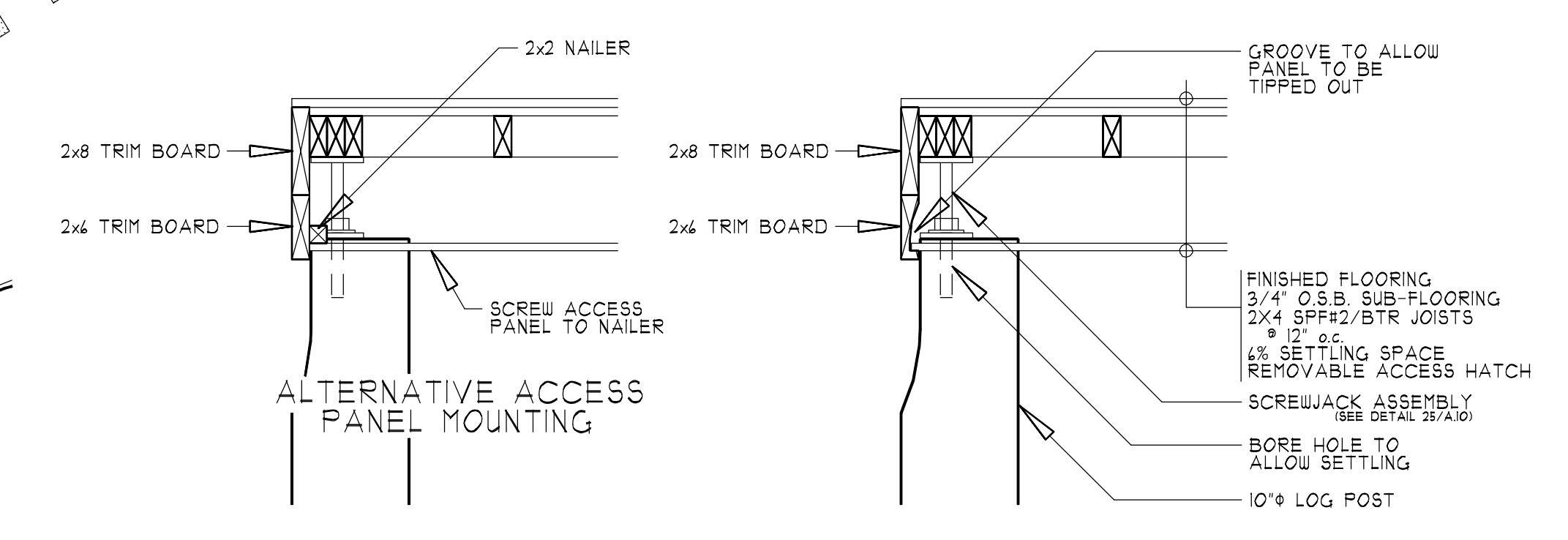
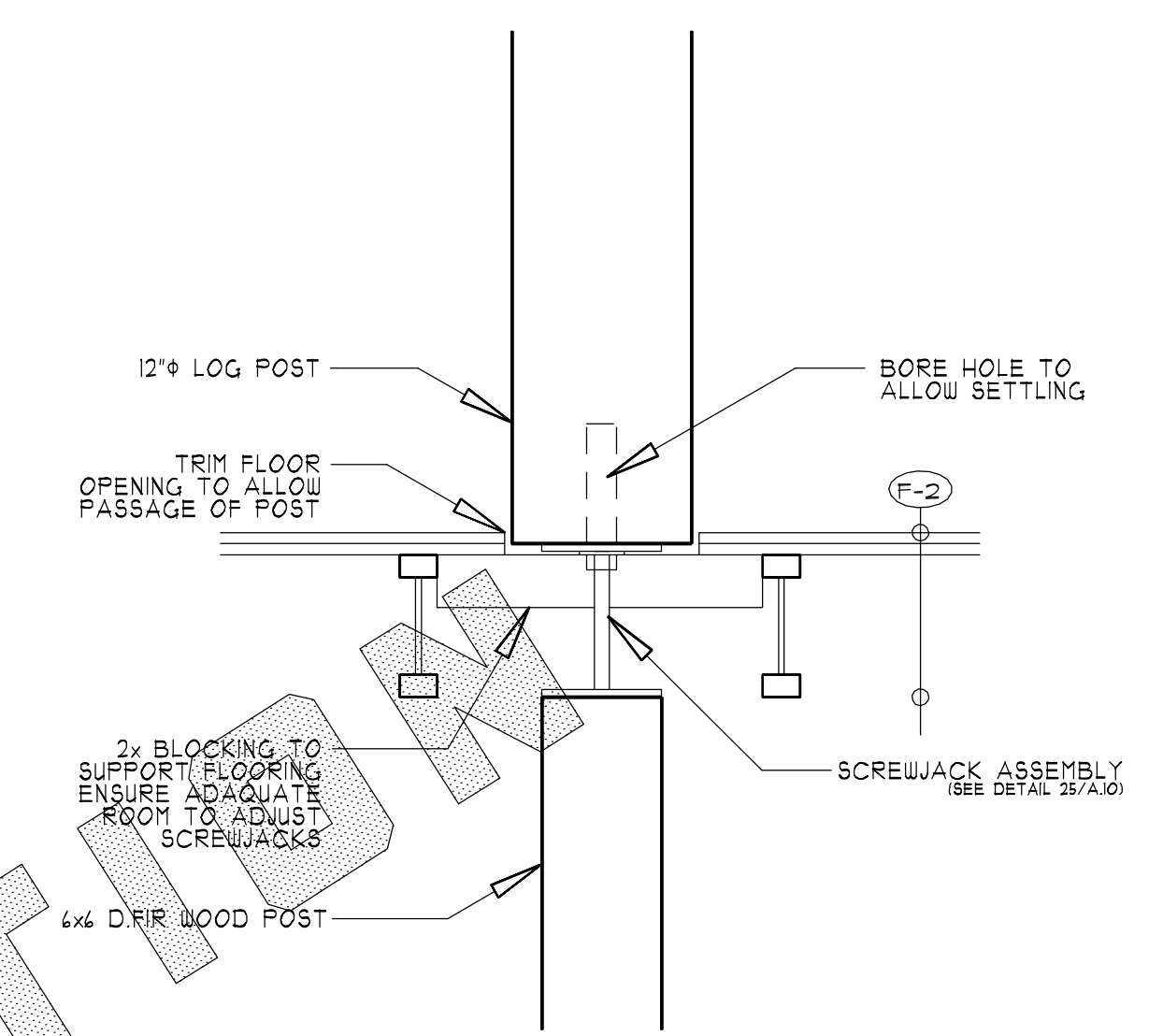
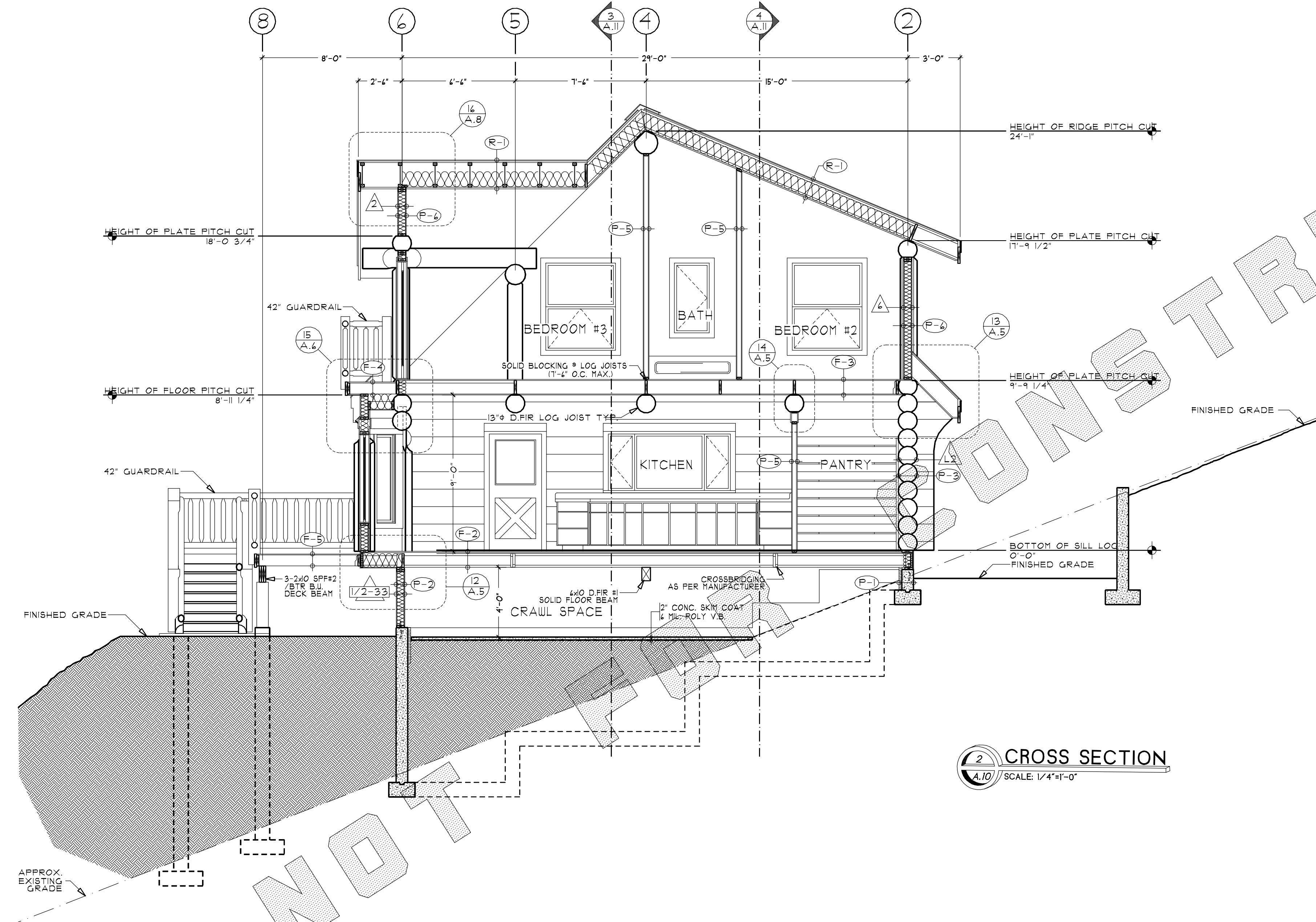


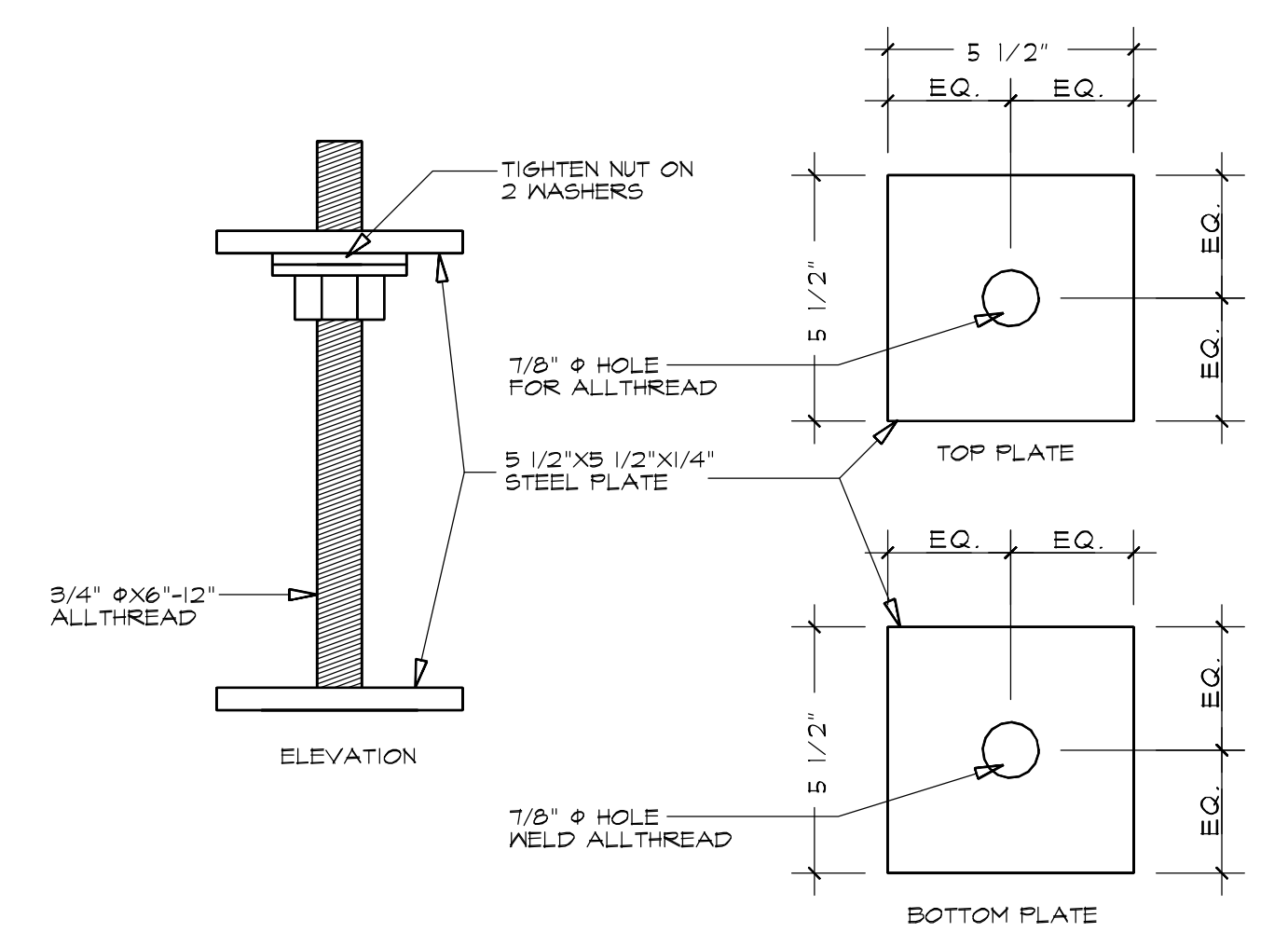
ISSUED FOR PERMIT	
1	4 MAR 2003
2	17 JUNE 2003
3	
4	
5	

The Log Connection
107-208 Ellis St.
Penticton, BC
V2A 4L6
Phone: (250) 770-9031
Toll Free: 1-888-207-0210
E-mail: log@the-log-connection.com
www.the-log-connection.com

The Log Connection
Log Home Design Specialist



24 STAIR LANDING DETAIL
SCALE: 1"=1'-0" SEE SECTION 4/A.II



SECTION 2
PAGE TITLE 1 DETAILS
SCALE AS NOTED
DATE NOV. 18 2002
DRAWN BY ROBERT WOOD
CHECKED BY STEVE HANCOCK

A.10