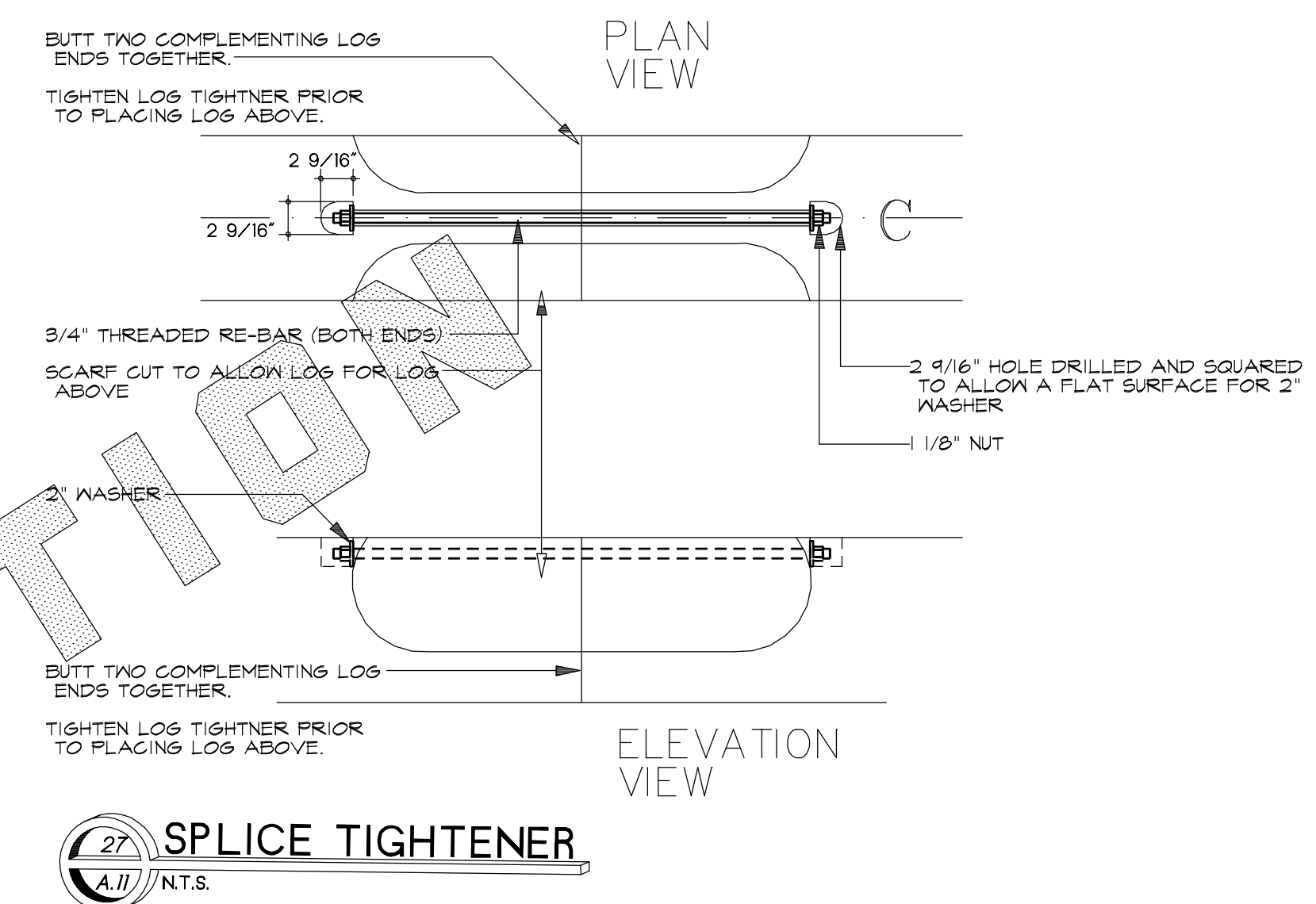
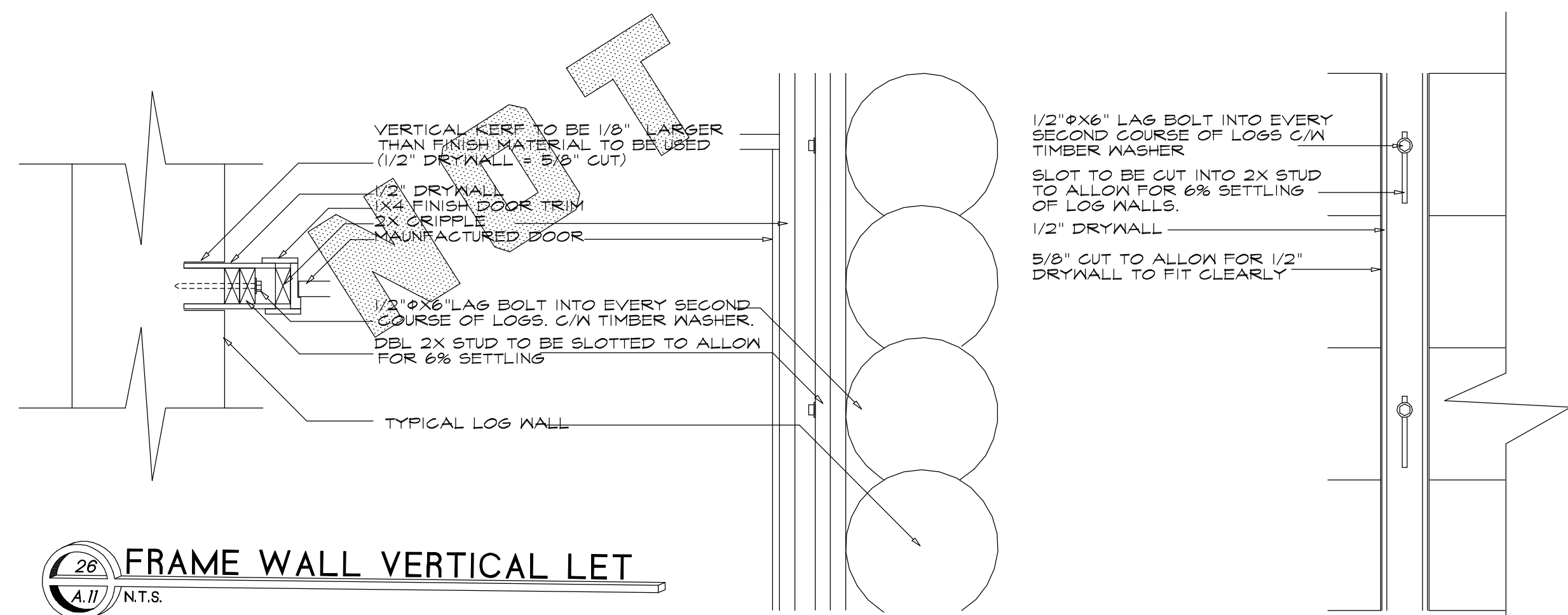


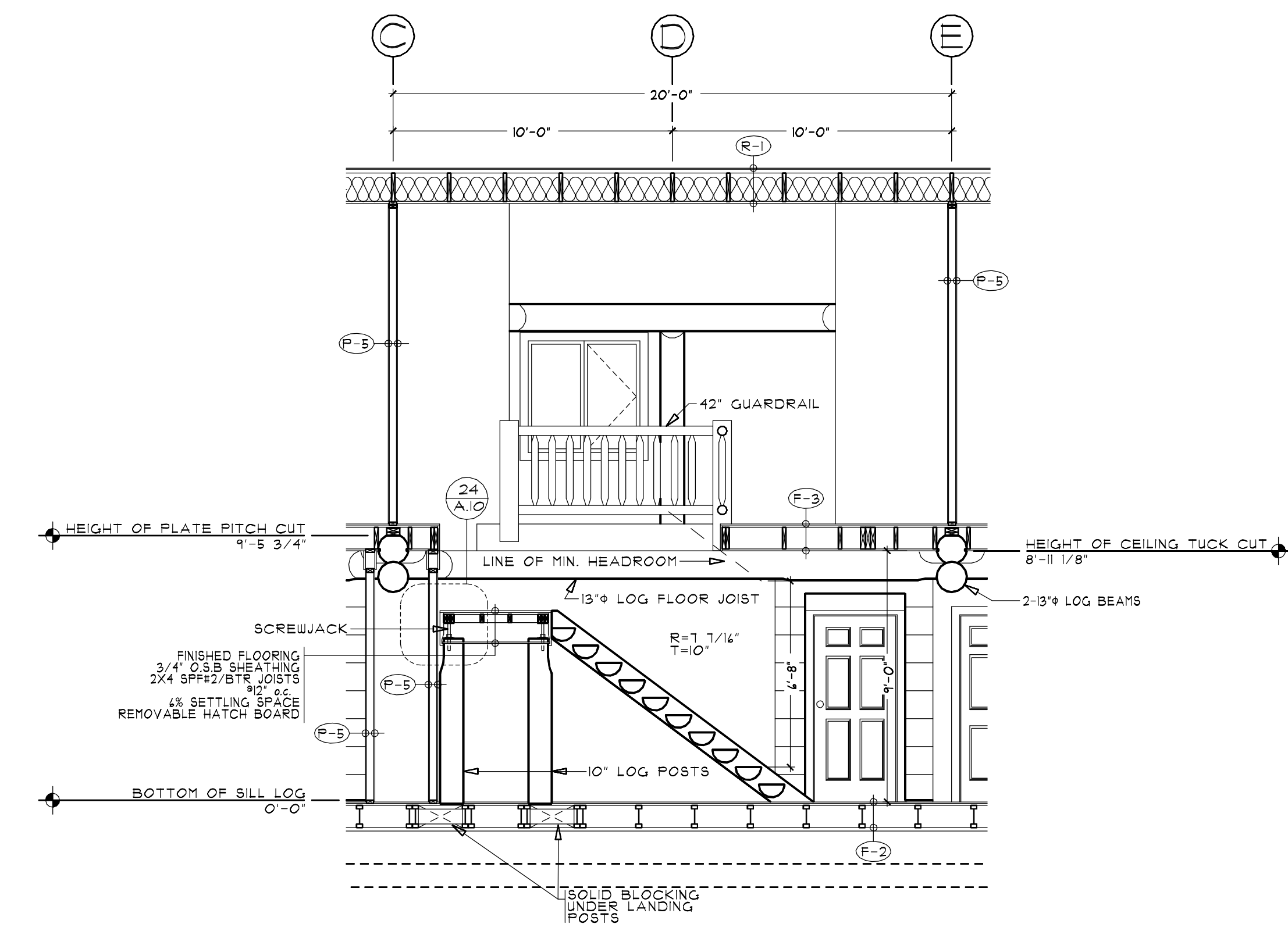
3 CROSS SECTION
 A.II SCALE: 1/4"=1'-0"



27 SPLICE TIGHTENER
 A.II N.T.S.



26 FRAME WALL VERTICAL LET
 A.II N.T.S.



4 CROSS SECTION
 A.II SCALE: 1/4"=1'-0"

ISSUED FOR PERMIT	
REVISIONS	4 11/18 2003
	1 11/18 2003
	2 11/18 2003
	3 11/18 2003
	4 11/18 2003

The Log Connection
 1000 E. 10th St.
 Parkville, MO 64151
 Phone: (251) 770-9031
 Fax: (251) 770-9032
 Email: logconnection@logconnection.com
 www.logconnection.com

The Log Connection
 Log Home Design Specialist

SECTION 3 1 4
PAGE TITLE 1 DETAILS
SCALE AS NOTED
DATE NOV. 18 2002
DRAWN BY ROBERT WOOD
CHECKED BY STEVE HANCOCK

A.II