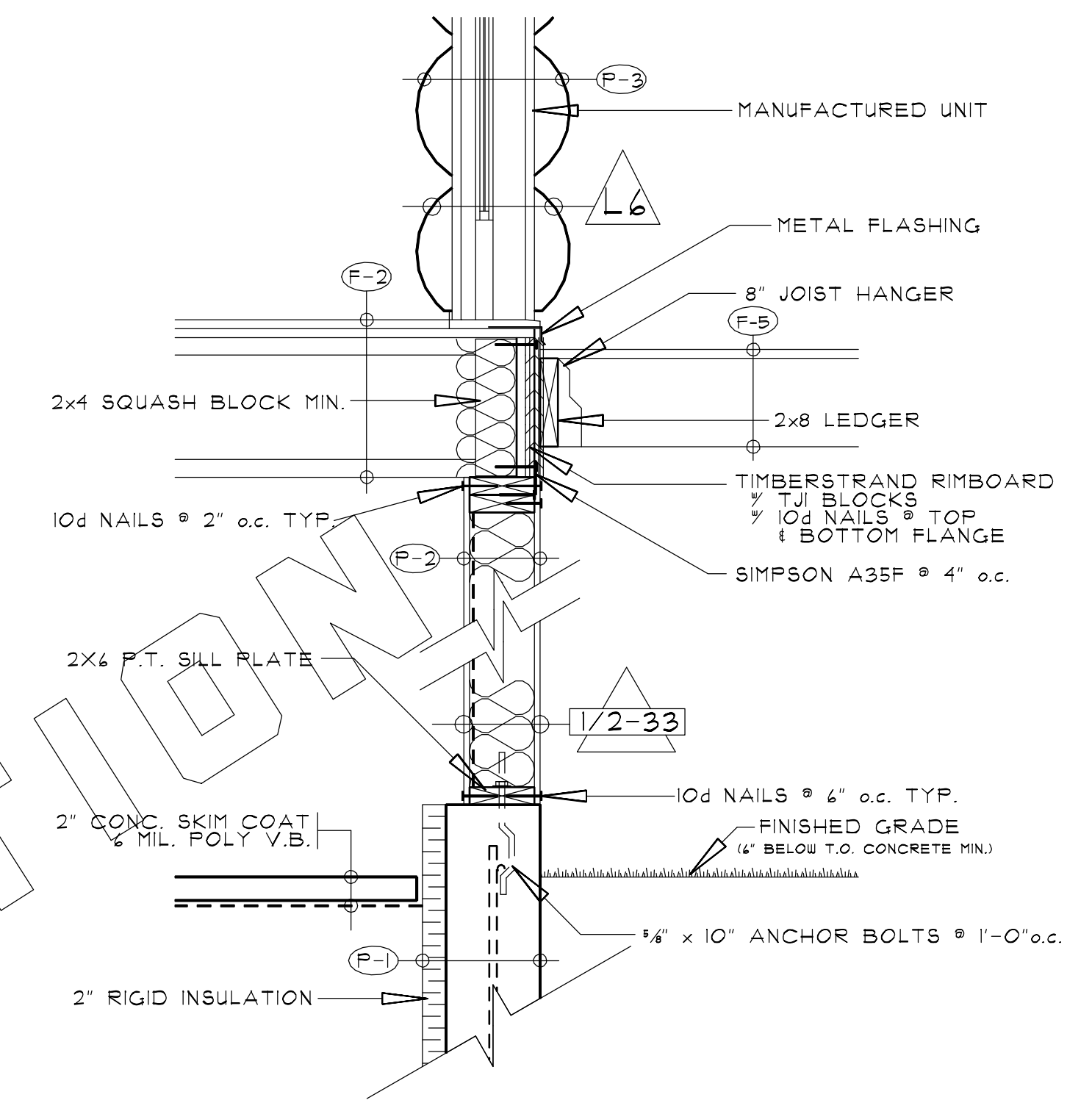


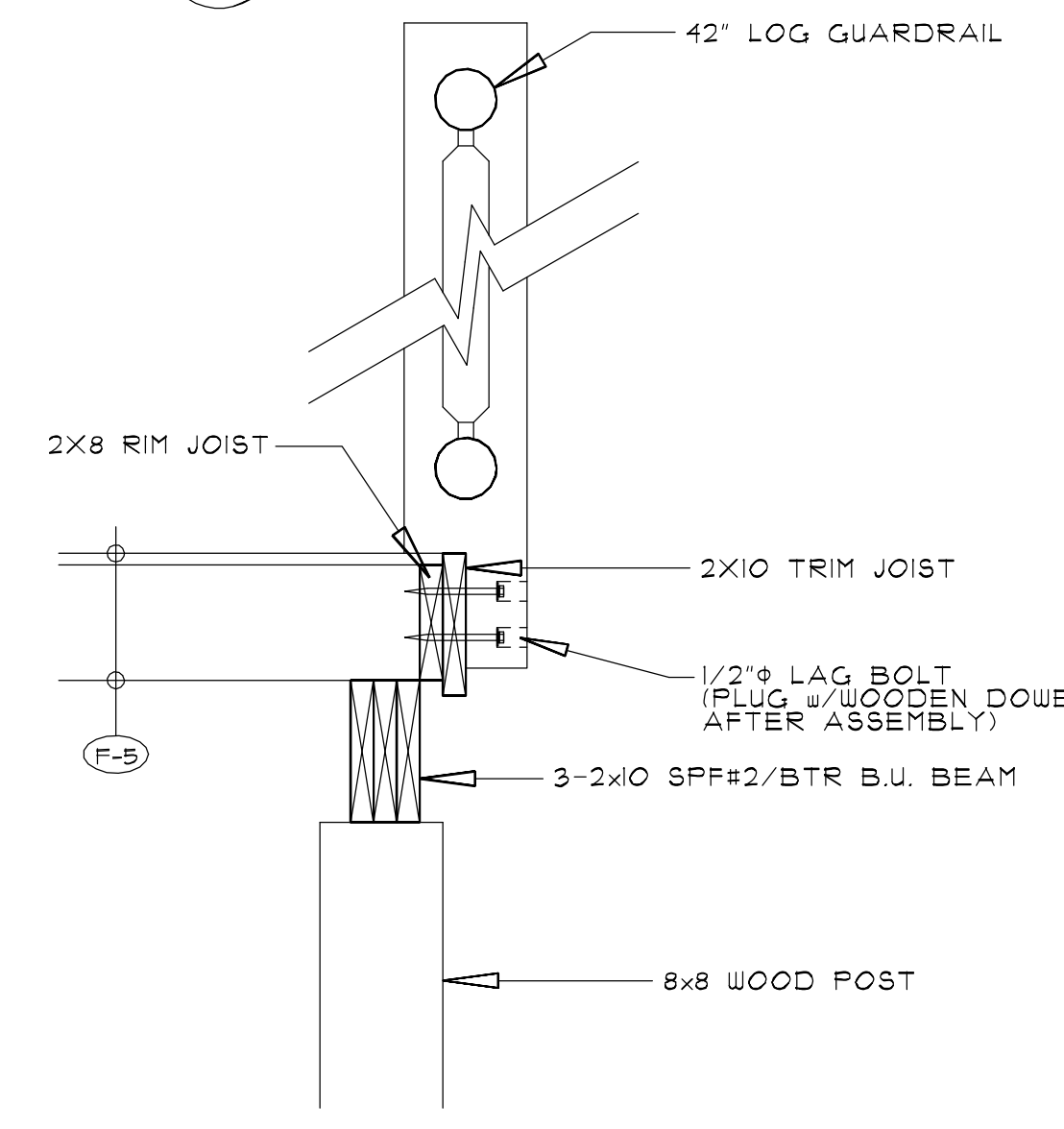
NOTE:
DIMENSIONS ARE TO
THE OUTSIDE OF
FLOOR FRAMING

○ DENOTES POINT LOAD FROM ABOVE.
ENSURE SCREW JACK OR SOLID
BLOCKING UNDER AS REQ'D.

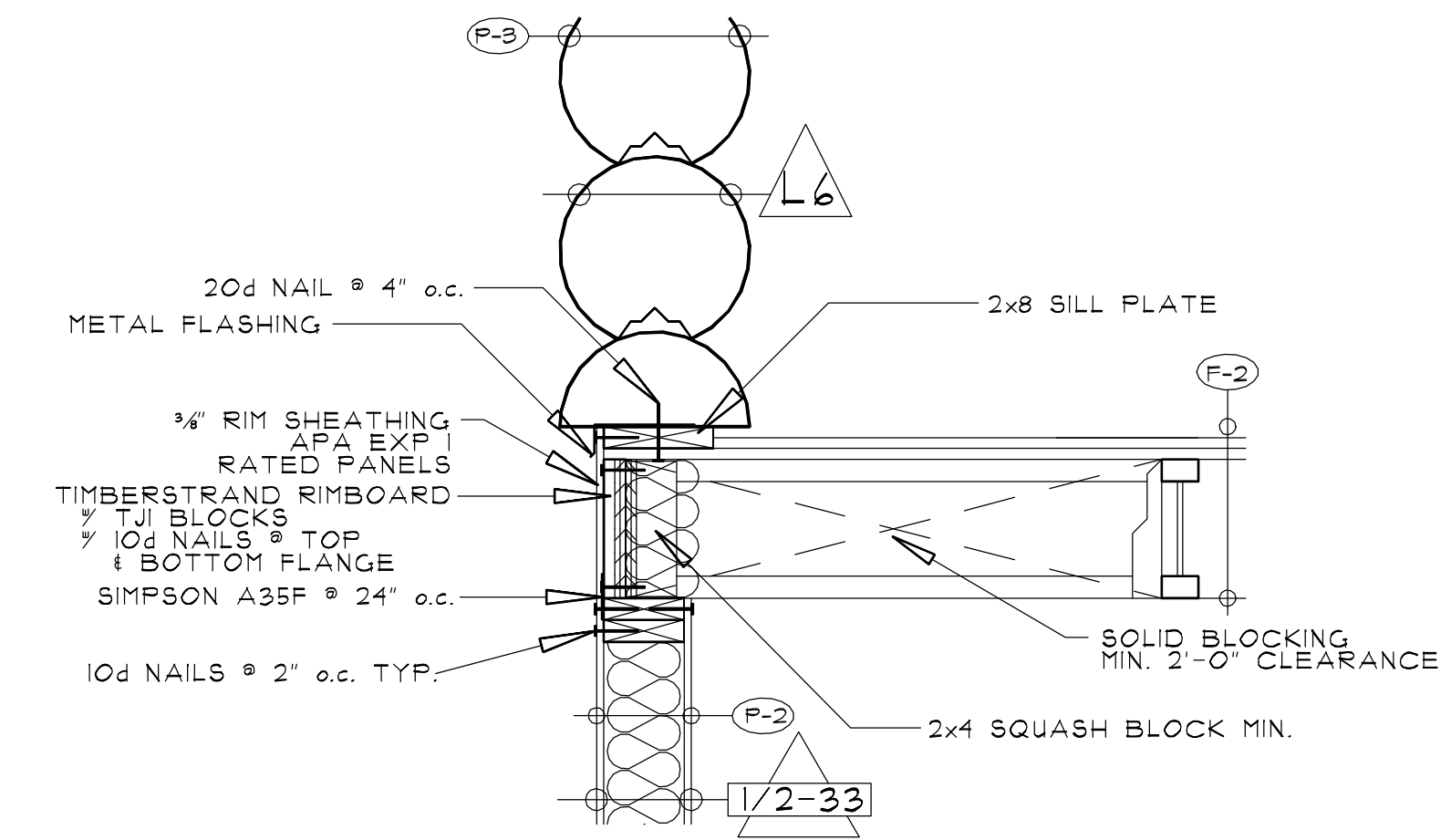
1
A.4 MAIN FLOOR FRAMING
SCALE: 1/4"=1'-0"



4
A.4 WALL/FLOOR DETAIL
SCALE: 1"=1'-0" SEE SECTION 1/A.8



5
A.4 DECK BEAM DETAIL
SCALE: 1"=1'-0" SEE SECTION 1/A.8



22
A.4 WALL/FLOOR DETAIL
SCALE: 1"=1'-0" SEE SECTION 3/A.11

ISSUED FOR PERMIT
REVISIONS
1 28 FEB. 2003
2 17 JUNE 2003
3
4
5

The Log Connection
107-208 8th St.
Penticton, BC
V2A 4L6
Phone: (250) 770-9031
Toll Free 1-888-207-0210
E-mail: logbase@thelogconnection.com
www.thelogconnection.com

The Log Connection
Log Home Design Specialist

MAIN JOIST
PAGE TITLE: 1 DETAILS
SCALE: AS NOTED
DATE: NOV. 18 2002
DRAWN BY: ROBERT WOOD
CHECKED BY:

A.4