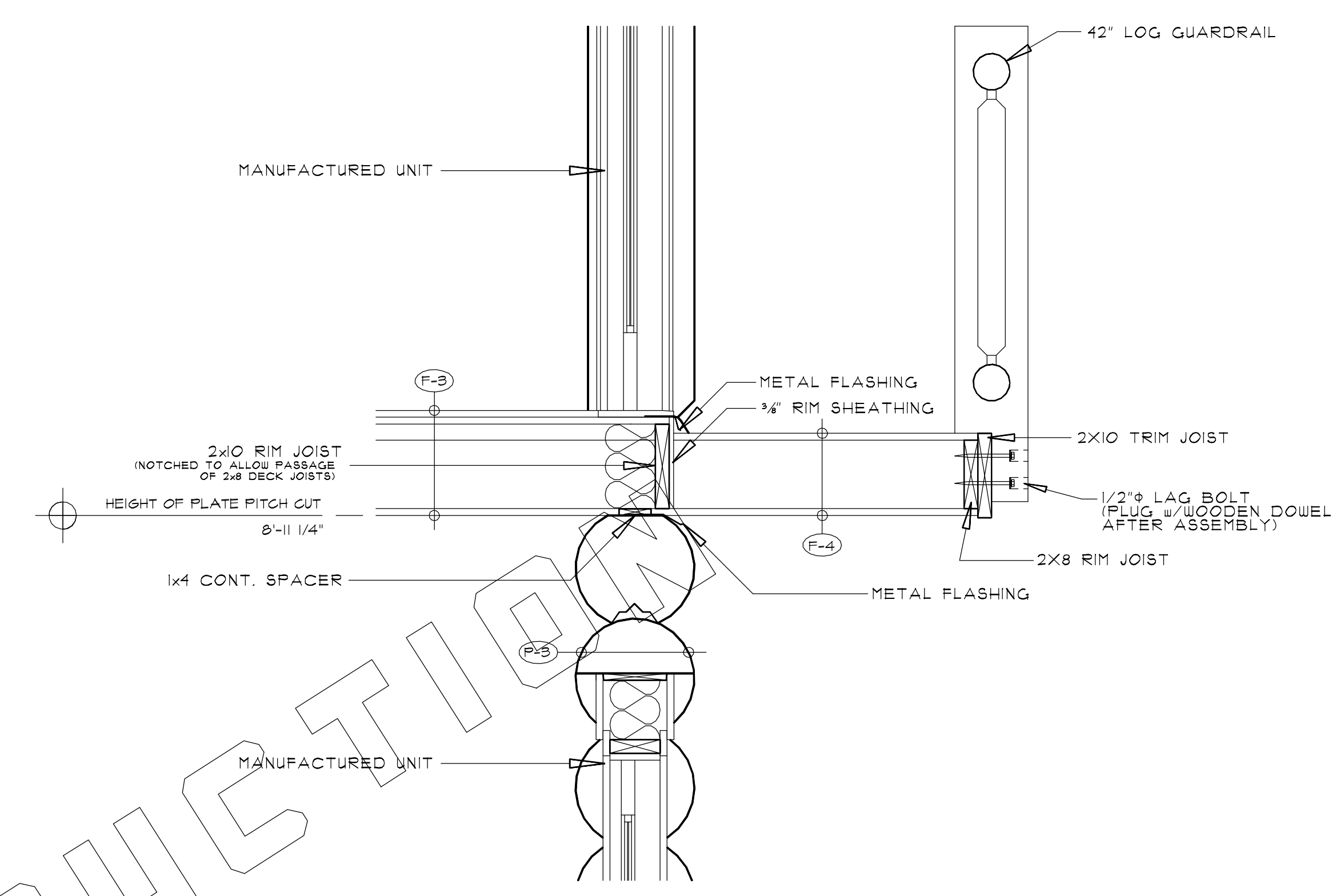
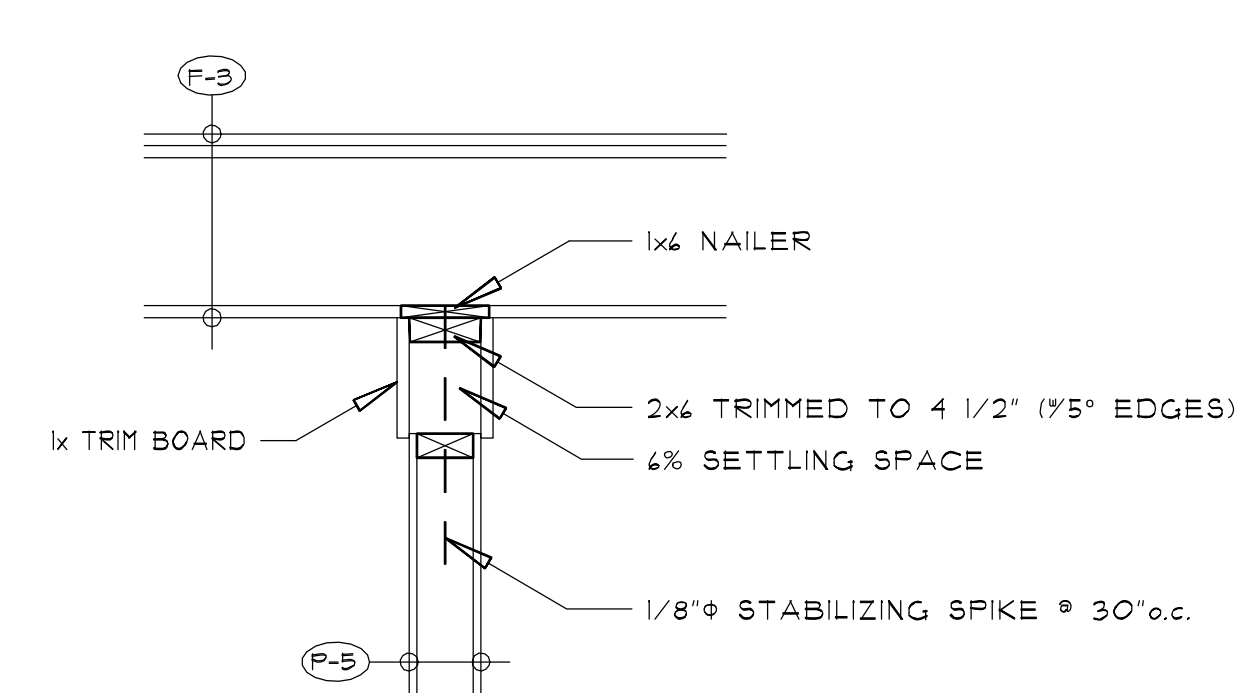


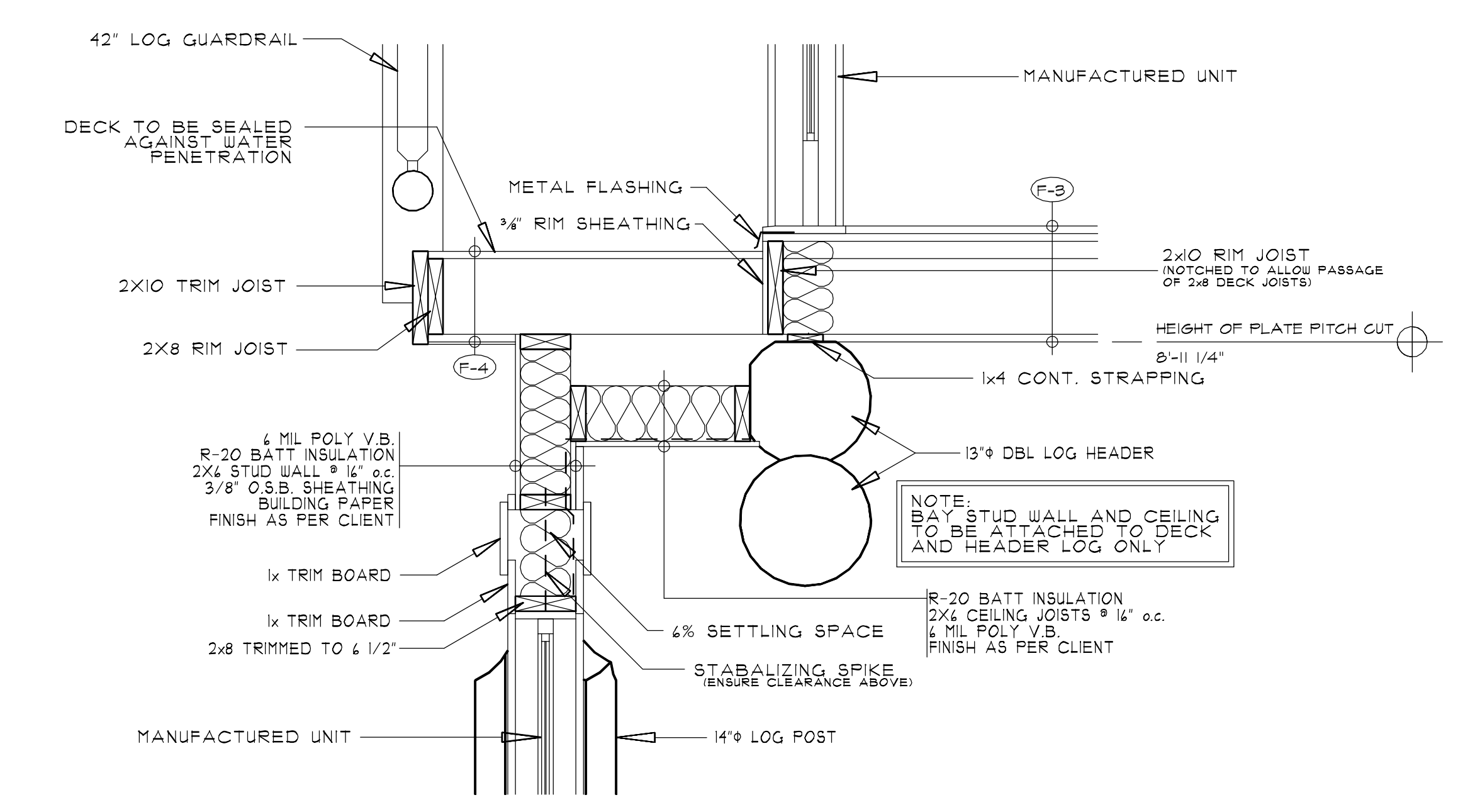
1 UPPER FLOOR FRAMING
A.6 SCALE: 1/4"=1'-0"



6 WALL/FLOOR DETAIL
A.6 SCALE: 1"=1'-0" SEE SECTION 1/A.9



7 WALL SETTLING DETAIL
A.6 SCALE: 1"=1'-0" SEE SECTION 1/A.9

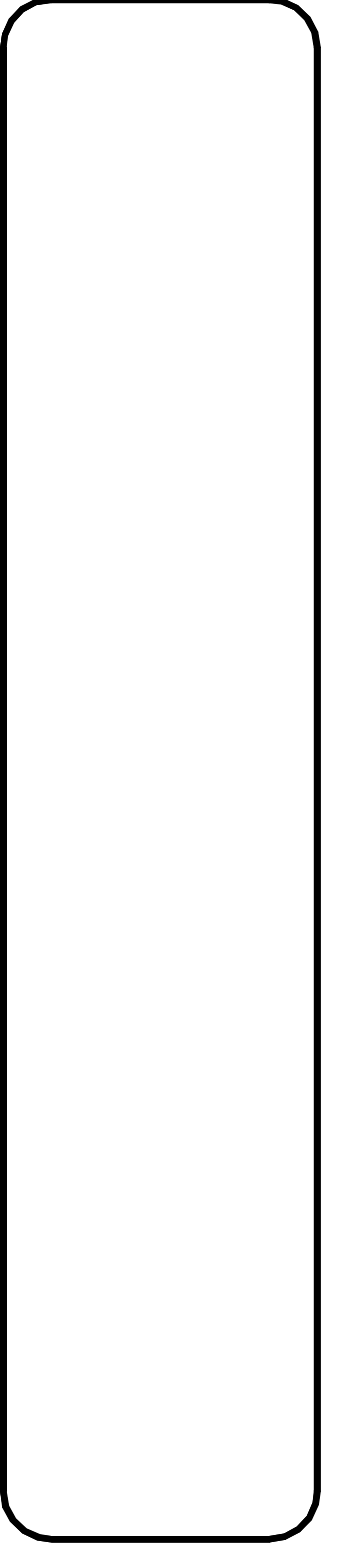


15 BAY SETTLING DETAIL
A.6 SCALE: 1"=1'-0" SEE SECTION 2/A.10

ISSUED FOR PERMIT	
REVISIONS	
1	28 FEB. 2003
2	17 JUNE 2003
3	
4	
5	

The Log Connection
105-208 Elm St.
Penikese, BC
V2A 4L6
Phone: (250) 770-9031
Cell/Fax: (250) 770-9030
E-mail: logconn@thelogconnection.com
www.thelogconnection.com

The Log Connection
Log Home Design Specialist



UPPER LAYOUT
PAGE TITLE 1 DETAILS
SCALE AS NOTED
DATE NOV. 18 2002
DRAWN BY ROBERT WOOD
CHECKED BY

A.6