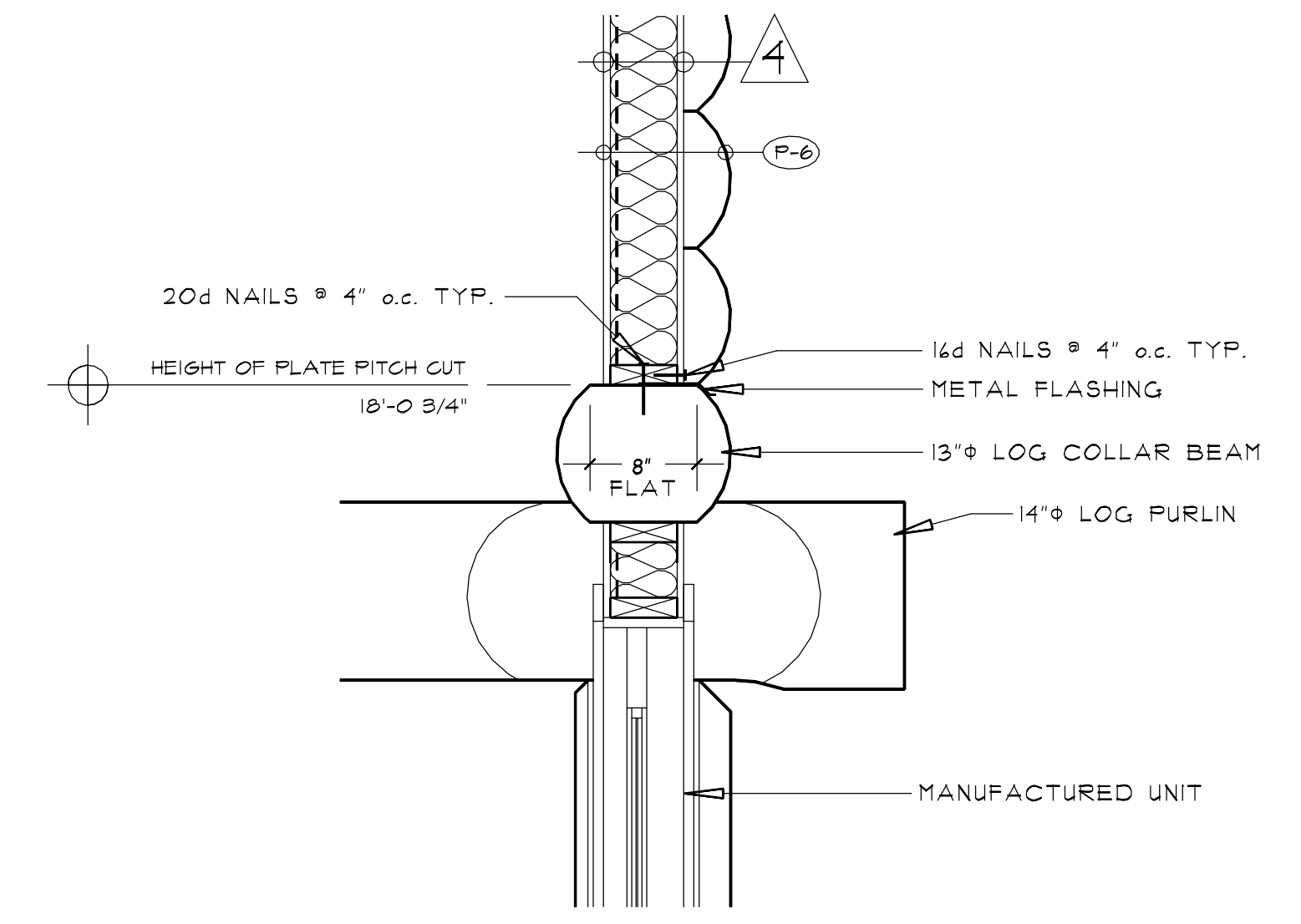
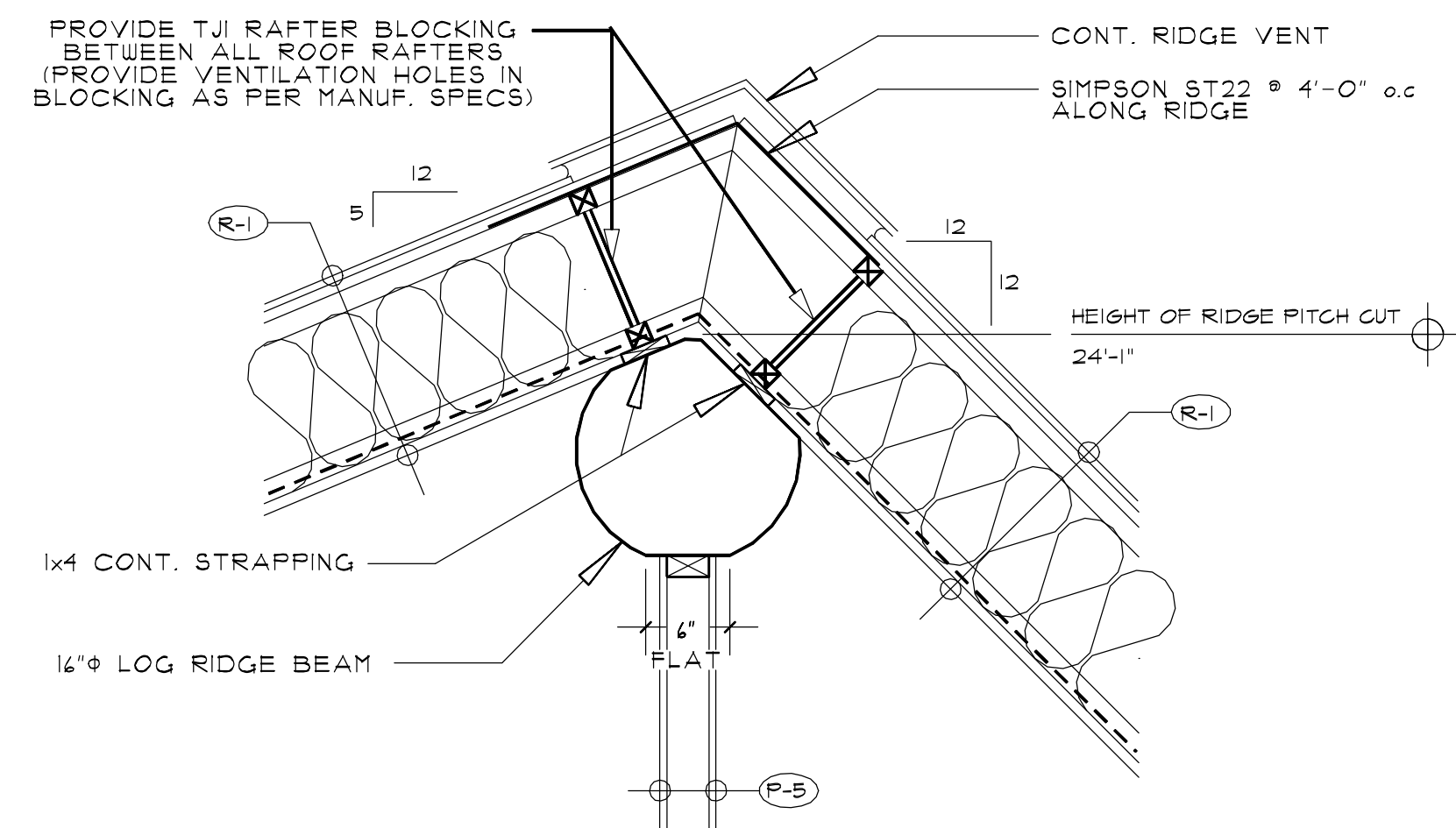


7 UPPER FLOOR PLAN
SCALE: 1/4"=1'-0"



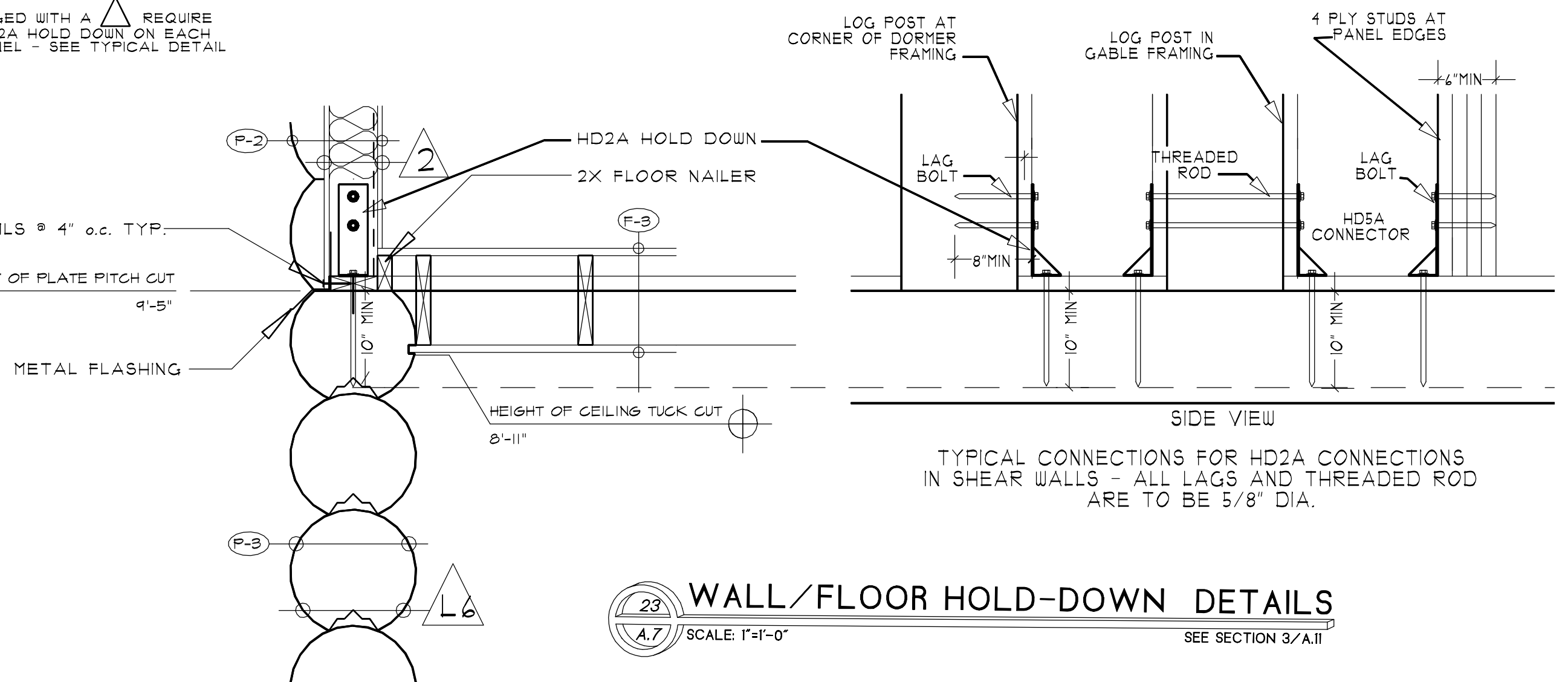
8 WALL/BEAM DETAIL
SCALE: 1"=1'-0" SEE SECTION 1/A.9



10 RIDGE BEAM DETAIL
SCALE: 1"=1'-0" SEE SECTION 1/A.9

* BLOCKING BETWEEN JOISTS IN THIS DETAIL APPLIES TO ALL RIDGE BEAM / RAFTER CONNECTIONS *

NOTE: WALLS TAGGED WITH A Δ REQUIRE SIMPSON HD2A HOLD DOWN ON EACH END OF PANEL - SEE TYPICAL DETAIL



23 WALL/FLOOR HOLD-DOWN DETAILS
SCALE: 1"=1'-0" SEE SECTION 3/A.11

ISSUED FOR PERMIT	
REVISIONS	
1	28 FEB. 2003
2	17 JUNE 2003
3	
4	
5	

The Log Connection
100-208 Elm St.
Perinton, BC
V2A 4L6
Phone: (250) 770-9031
Fax: (250) 770-9030
E-mail: log@the-log-connection.com
www.the-log-connection.com

The Log Connection
Log Home Design Specialist

UPPER PLAN
PAGE TITLE & DETAILS
SCALE AS NOTED
DATE NOV. 18 2002
DRAWN BY ROBERT WOOD

CHECKED BY
A. 7