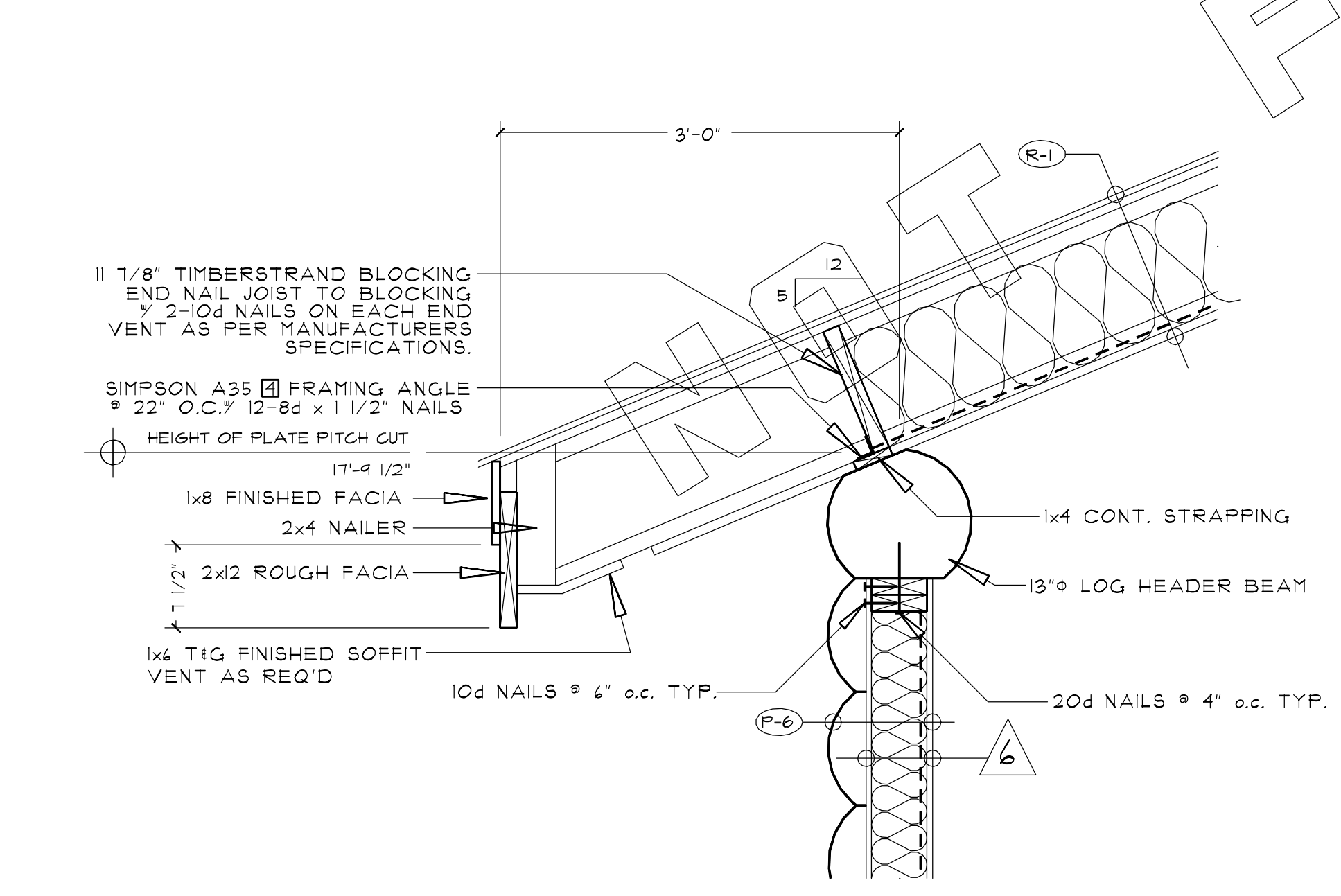
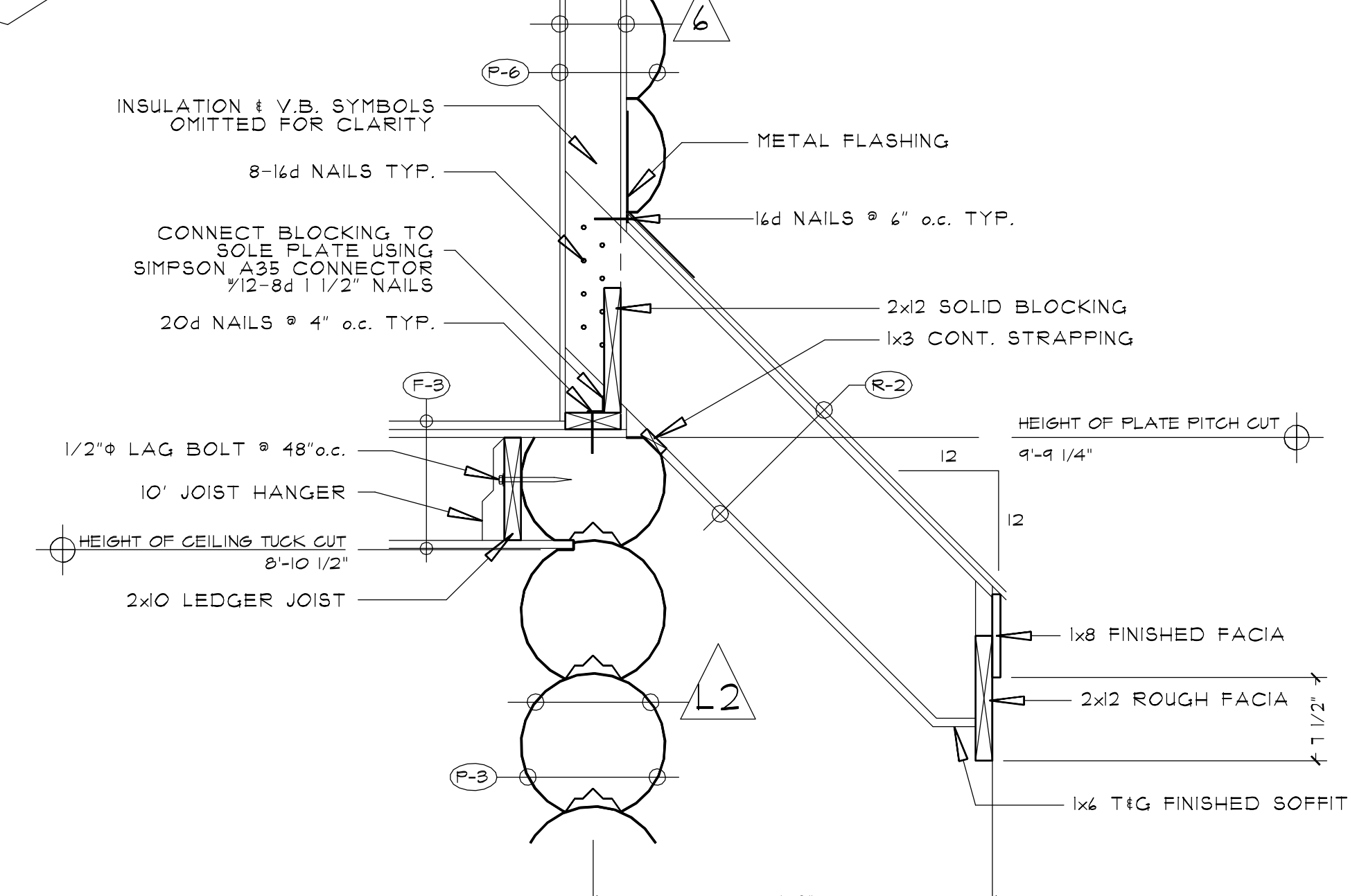


1 ROOF FRAMING
SCALE: 1/4"=1'-0"

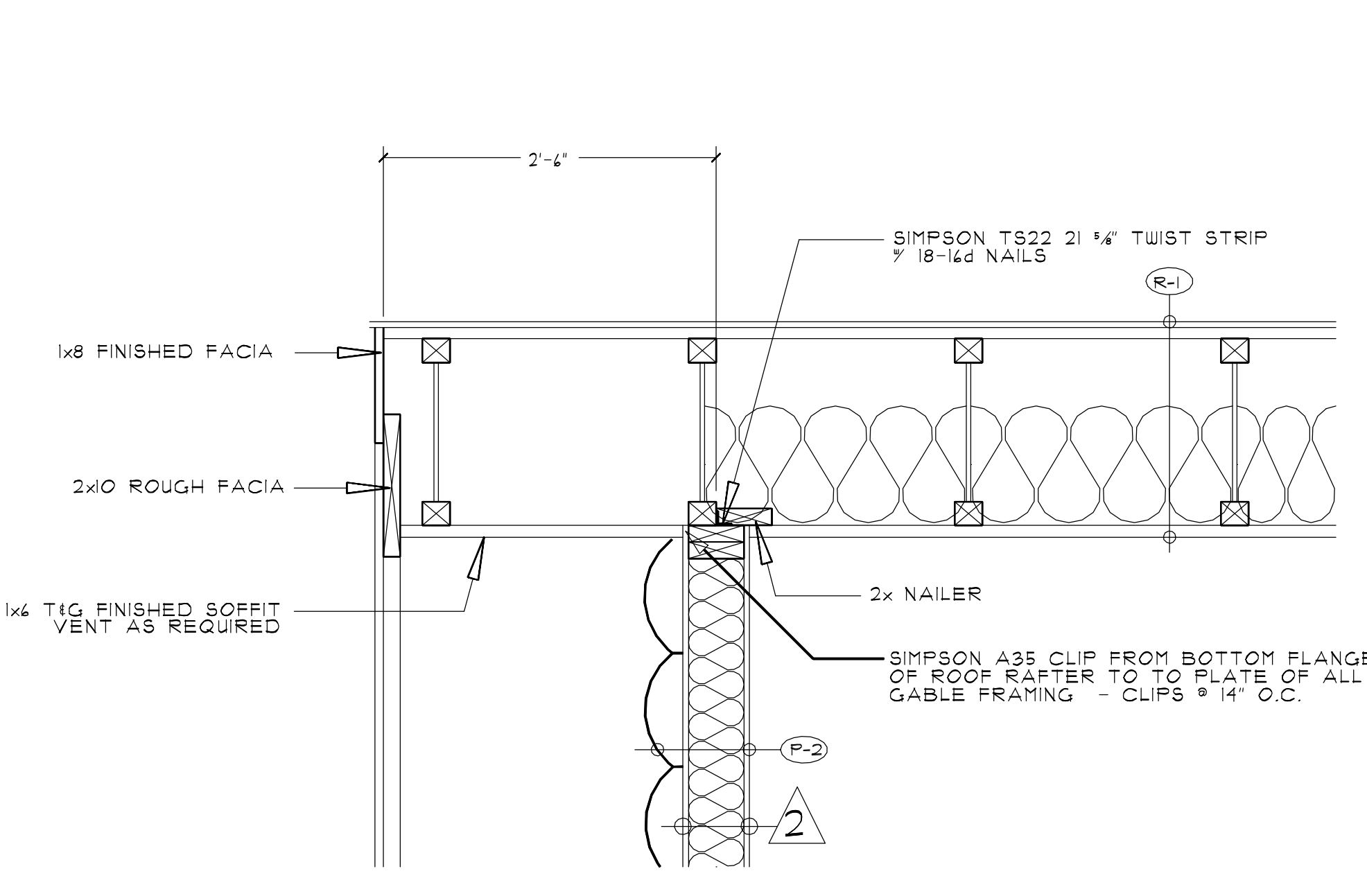
20 GREATROOM POST/PURLIN DETAIL
SCALE: 1"=1'-0" SEE SECTION 3/A.11



9 SOFFIT DETAIL
SCALE: 1"=1'-0" SEE SECTION 1/A.9



13 SOFFIT DETAIL
SCALE: 1"=1'-0" SEE SECTION 2/A.10



16 DORMER SOFFIT DETAIL
SCALE: 1"=1'-0" SEE SECTION 2/A.10

ISSUED FOR PERMIT	
REVISIONS	
1	28 FEB. 2003
2	17 JUNE 2003
3	
4	
5	

The Log Connection
107-208 Ellis St.
Perinton, BC
V2A 4L6
Phone: (250) 770-9031
Toll Free 1-888-207-0210
E-mail: logbase@thelogconnection.com
www.thelogconnection.com

The Log Connection
Log Home Design Specialist

ROOF FRAMING	
PAGE TITLE & DETAILS	
SCALE	AS NOTED
DATE	24 OCT. 2002
DRAWN BY	ROBERT WOOD
CHECKED BY	

A.8