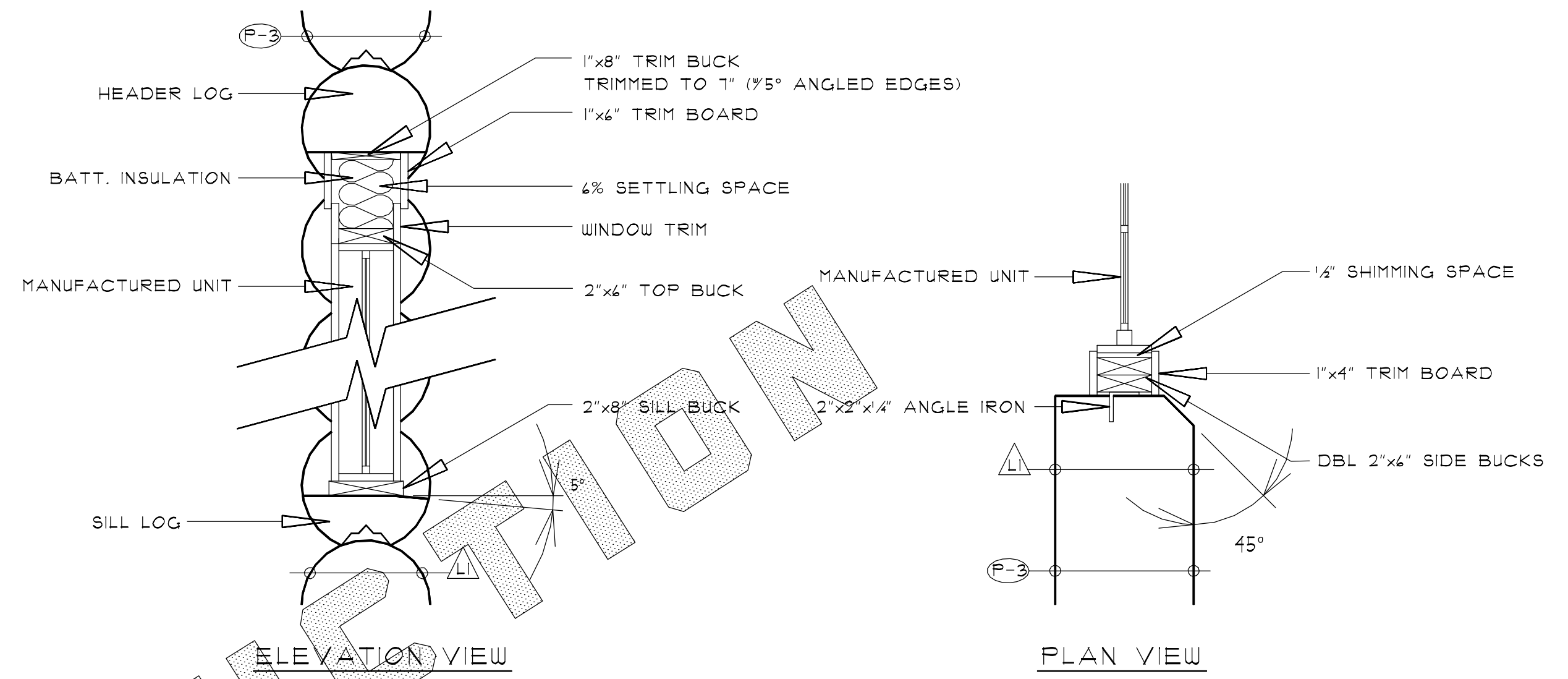
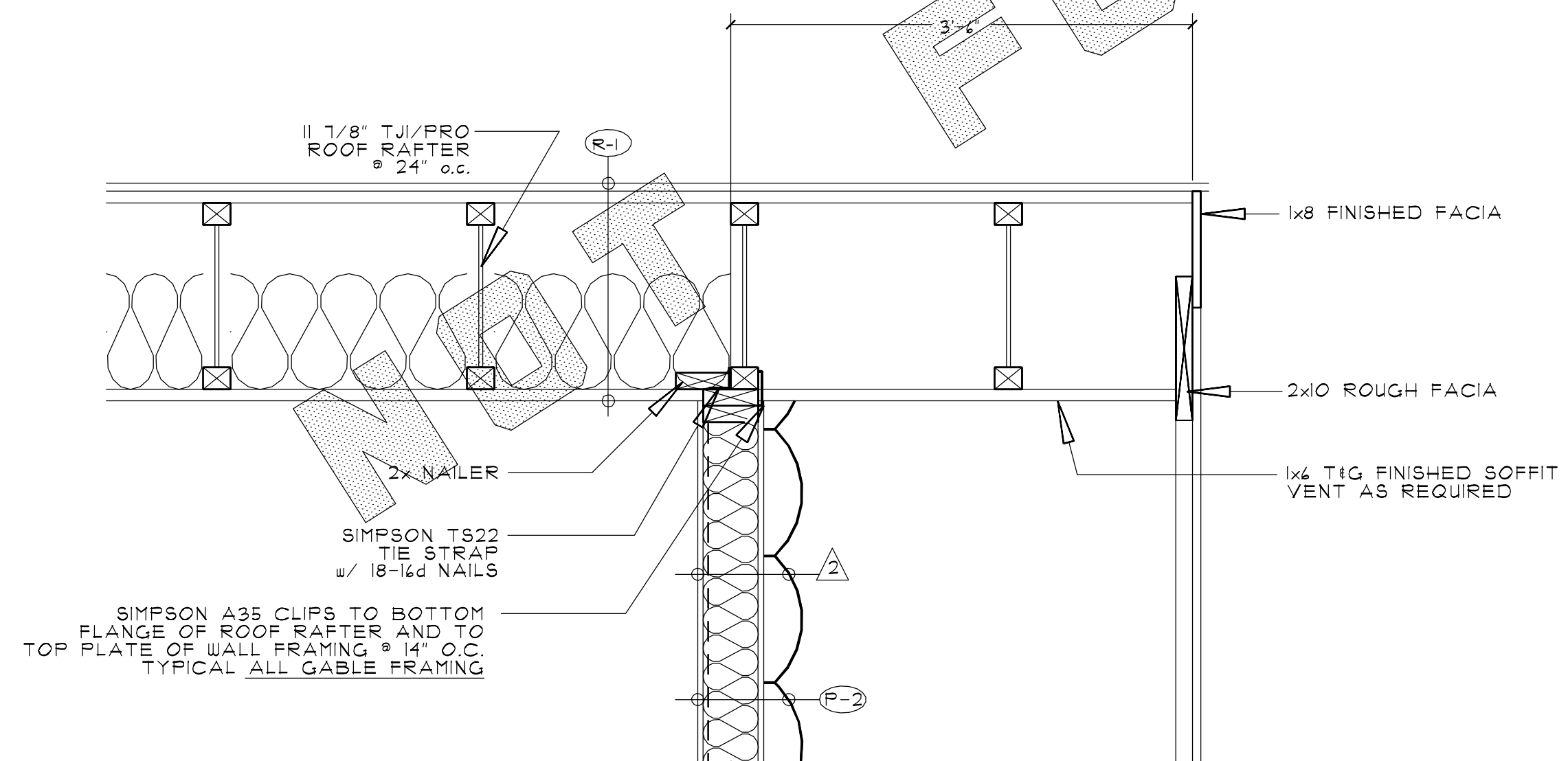


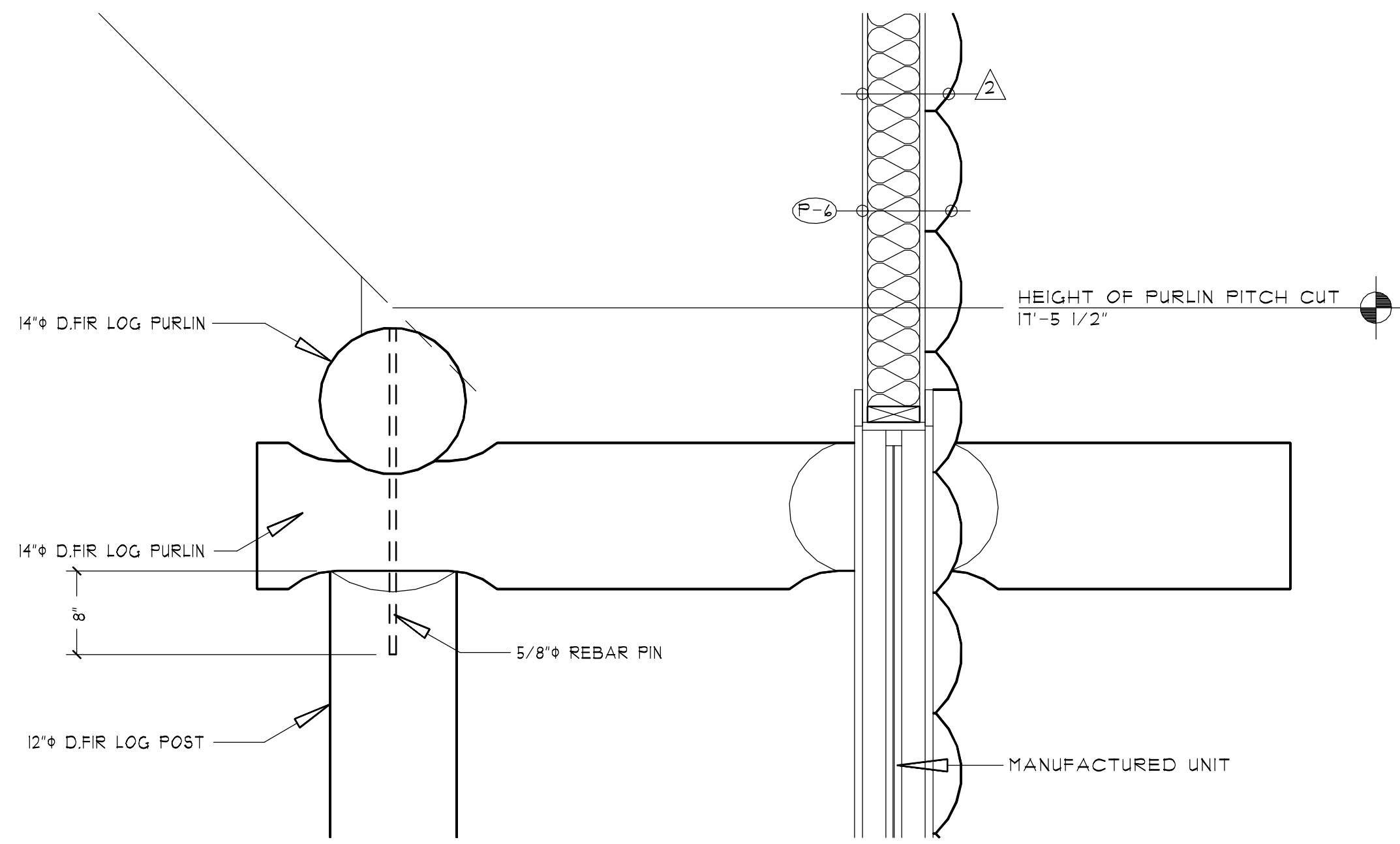
1 CROSS SECTION
SCALE: 1/4"=1'-0"



17 WINDOW OPENING DETAIL
SCALE: 1"=1'-0"
SEE SECTION 3/A.II



19 MAIN SOFFIT DETAIL
SCALE: 1"=1'-0"
SEE SECTION 3/A.II



18 POST/PURLIN DETAIL
SCALE: 1"=1'-0"
SEE SECTION 3/A.II

ISSUED FOR PERMIT	
REVISIONS	
1	4 MAR 2003
2	17 JUNE 2003
3	
4	
5	

The Log Connection
 101-2018 Ellis St.
 Portion, BC
 V2A 4L6
 Phone: (250) 770-9031
 Toll Free: 1-888-207-0210
 E-mail: loghouse@thelogconnection.com
 www.thelogconnection.com

The Log Connection
 Log Home Design Specialist

SECTION 1
 PAGE TITLE 1 DETAILS
 SCALE AS NOTED
 DATE NOV. 18 2002
 DRAWN BY ROBERT WOOD
 CHECKED BY STEVE HANCOCK

A.9