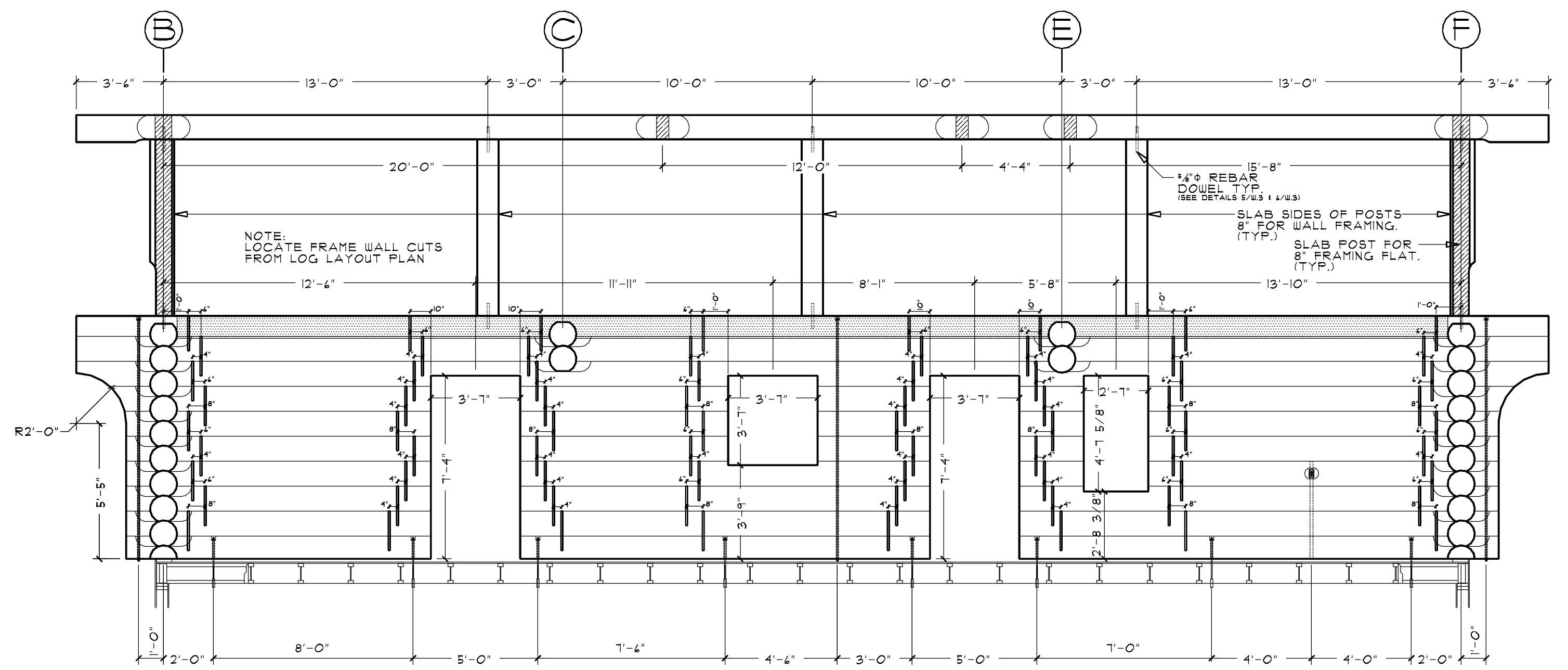
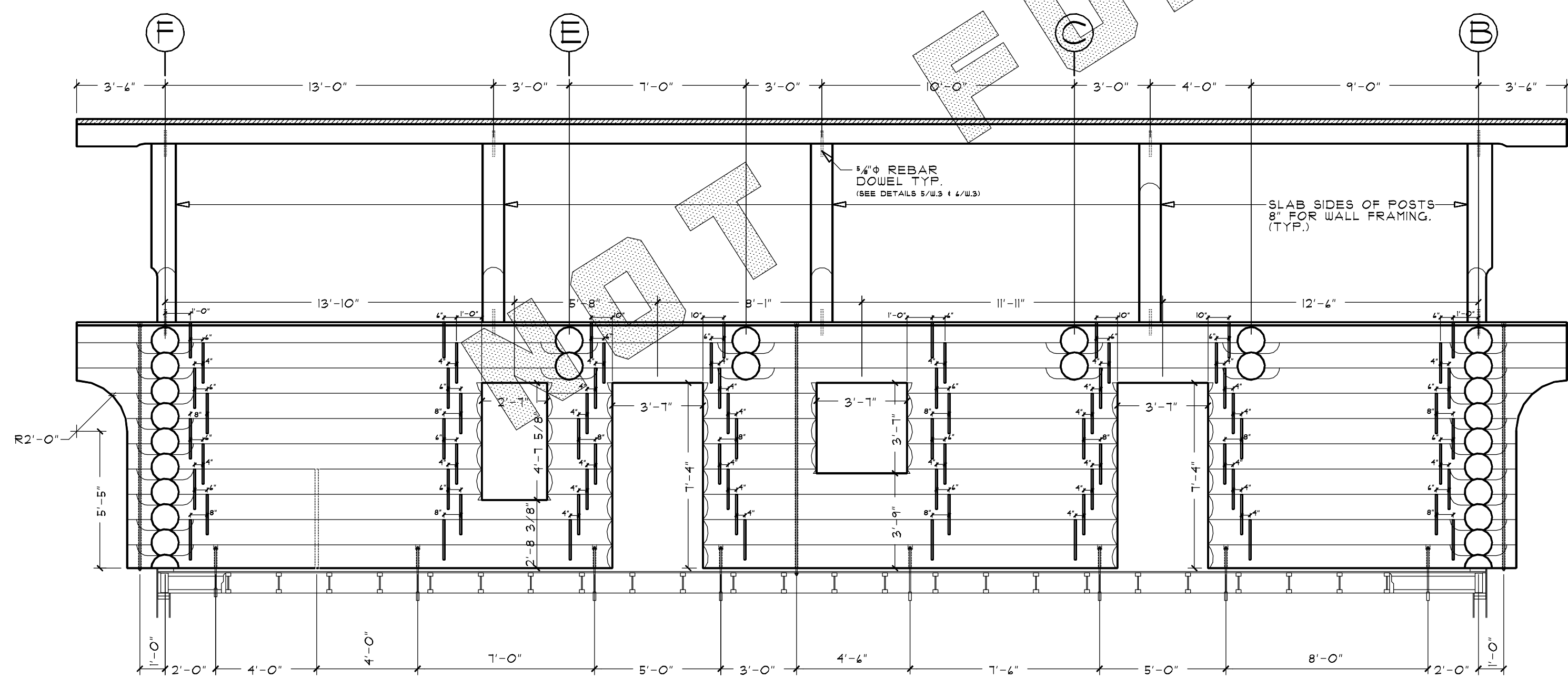
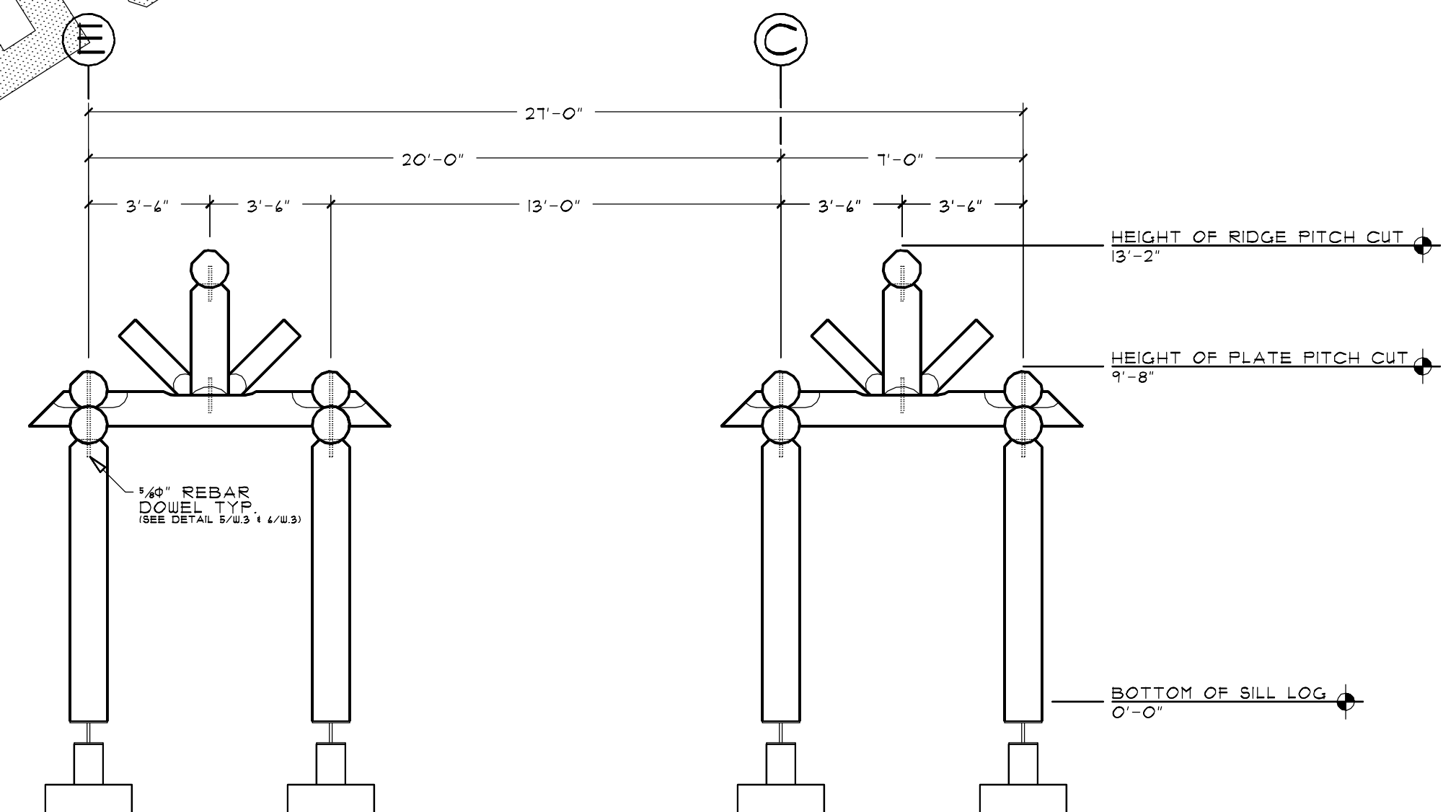


** SEE SHEAR WALL SCHEDULES FOR SPACING OF PIPES & ANCHOR BOLTS **

5
W1 TYP. ANCHOR BOLT & SHEAR PIPE DETAILS
SCALE: N.T.S.



ISSUED FOR PERMIT

| REVISIONS | DATE |
|-----------|--------------|
| 1 | 4 MARCH 2003 |
| 2 | 11 JUNE 2003 |
| 3 | |
| 4 | |

The Log Connection
101-208 Ellis St
V2A 4L6
Phone: (250) 770-9031
Toll Free: 1-866-207-0210
www.thelogconnection.com

The Log Connection
Log Home Design Specialist

LOG WALL ELEVATIONS
PAGE TITLE
SCALE: 1/4" = 1'-0"
DATE: JAN. 9 2003
DRAWN BY: ROBERT WOOD
CHECKED BY: STEVE HANCOCK

W.I.