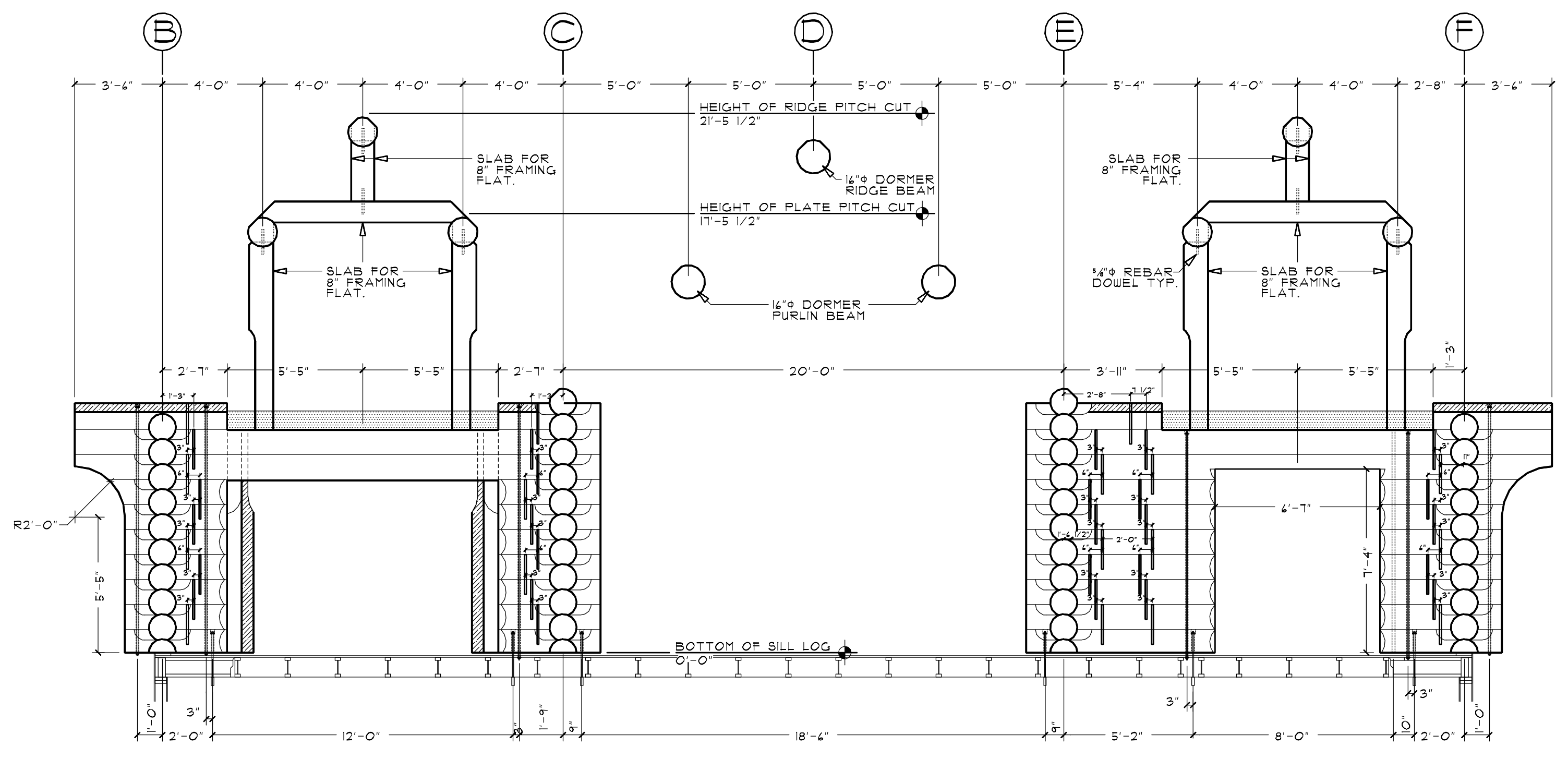


ISSUED FOR PERMIT	
REVISIONS	
1	4 MARCH 2003
2	17 JUNE 2003
3	
4	
5	

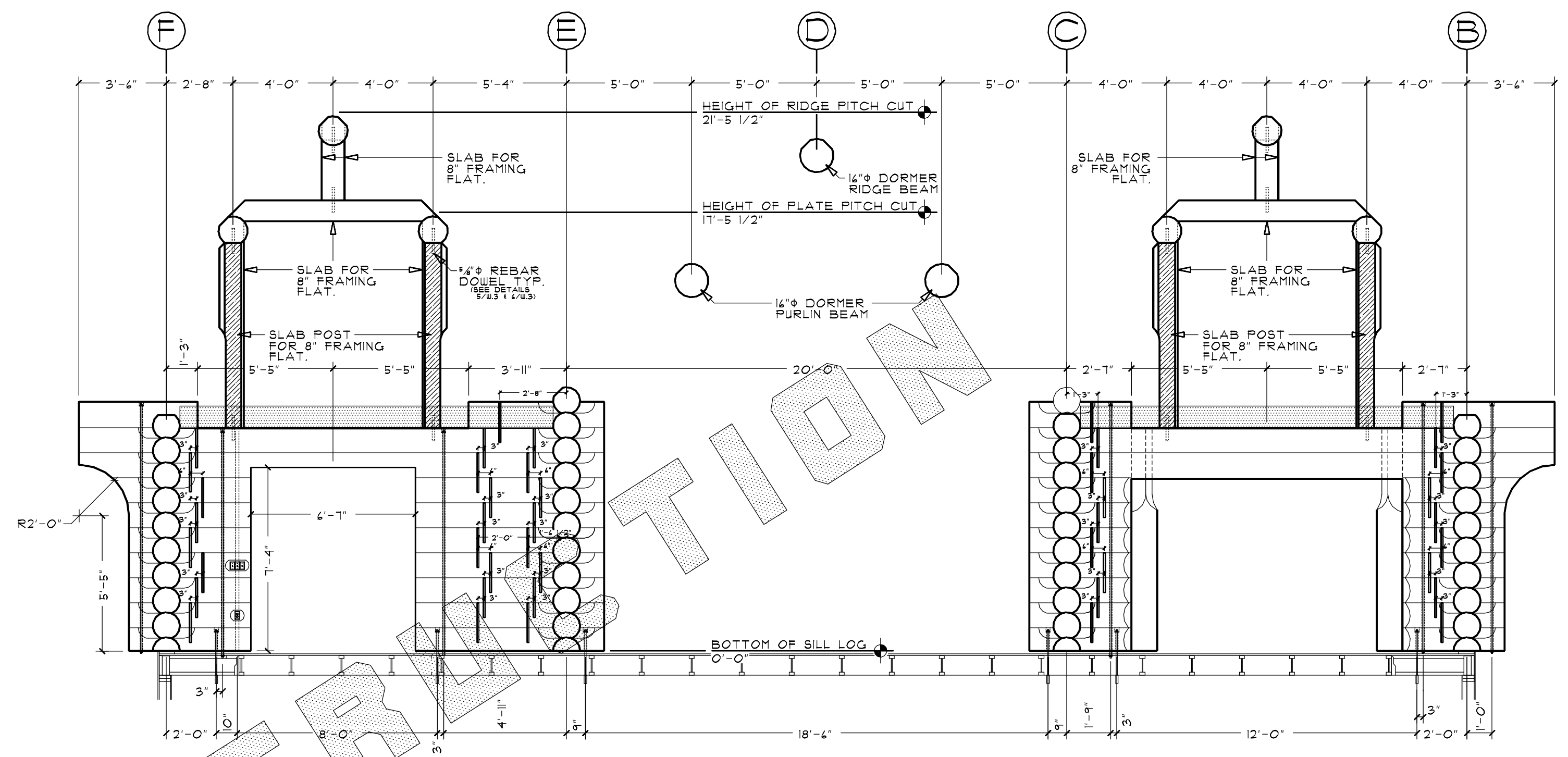
The Log Connection  
 107-208 Sils St.  
 Pelican, BC  
 V2A 4L6  
 Phone: (250) 770-9031  
 Toll Free: 1-888-207-0210  
 E-mail: logbase@thelogconnection.com  
 www.thelogconnection.com

**The Log Connection**  
 Log Home Design Specialist



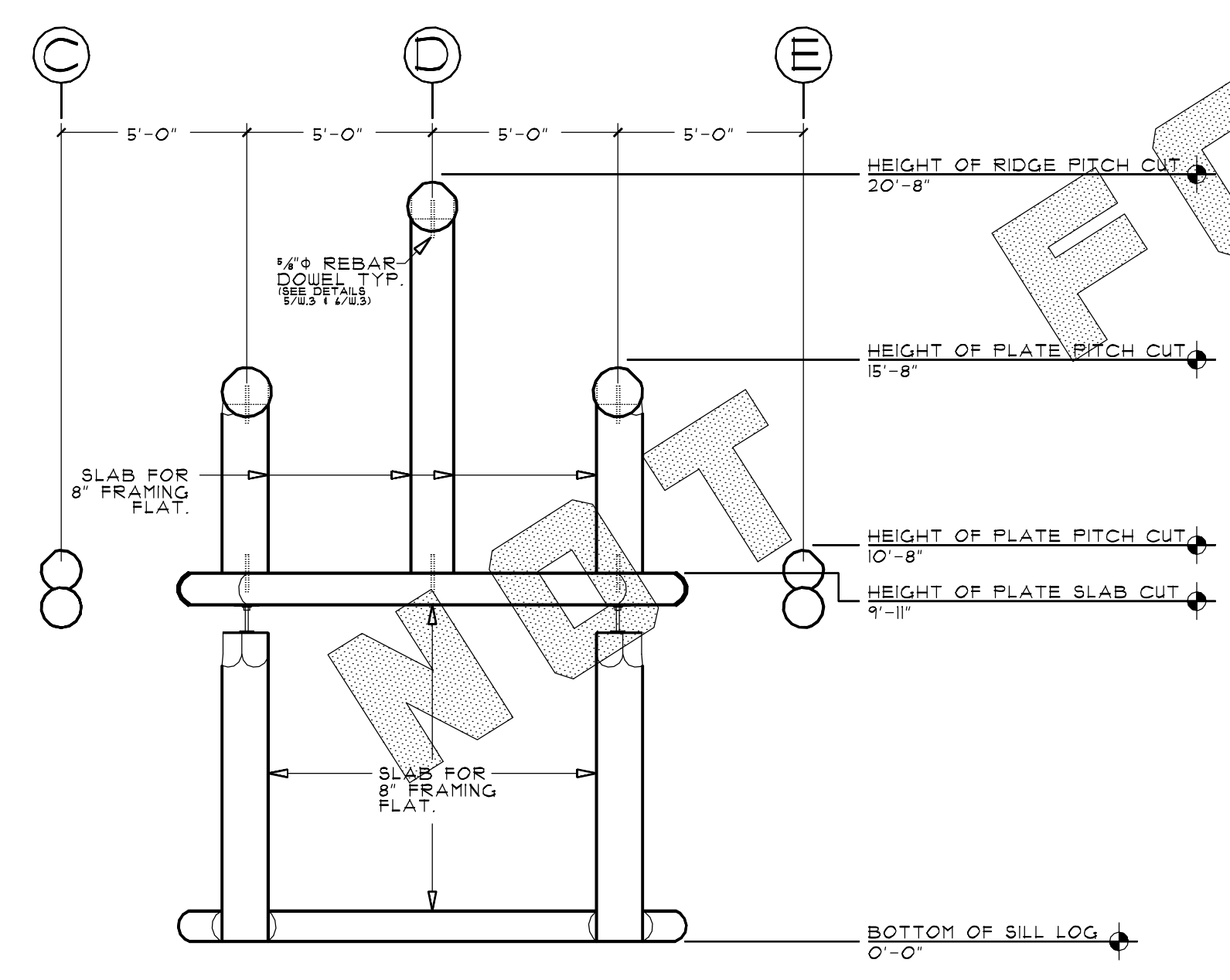
**1 GRID 6 EXTERIOR**  
 W.3 / SCALE: 1/4"=1'-0"

ALL BOTTOM ROUND ANCHORAGE SHOWN MUST TIE DIRECTLY INTO CONCRETE FOUNDATION AS PER DETAIL 5 PAGE W!

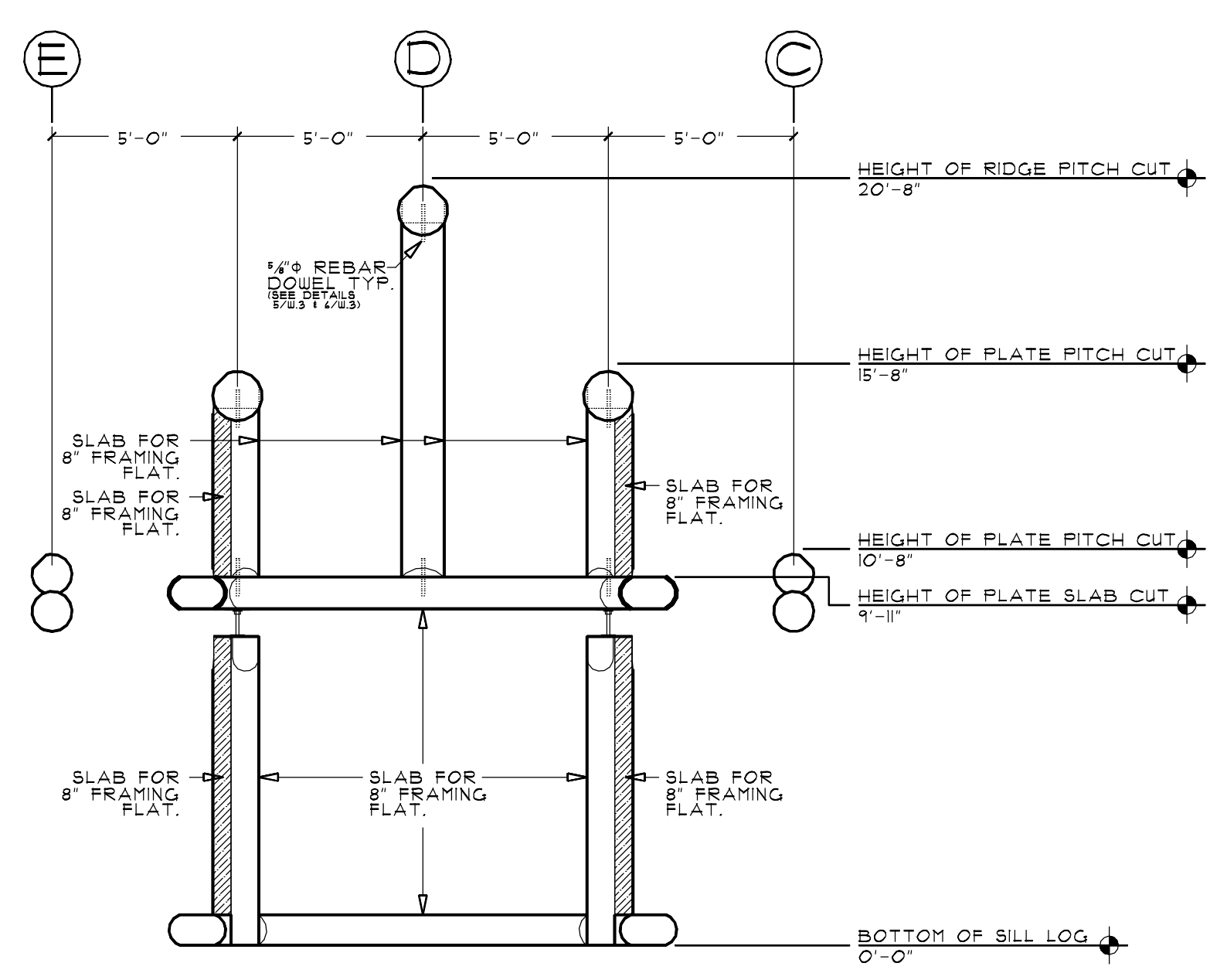


**2 GRID 6 INTERIOR**  
 W.3 / SCALE: 1/4"=1'-0"

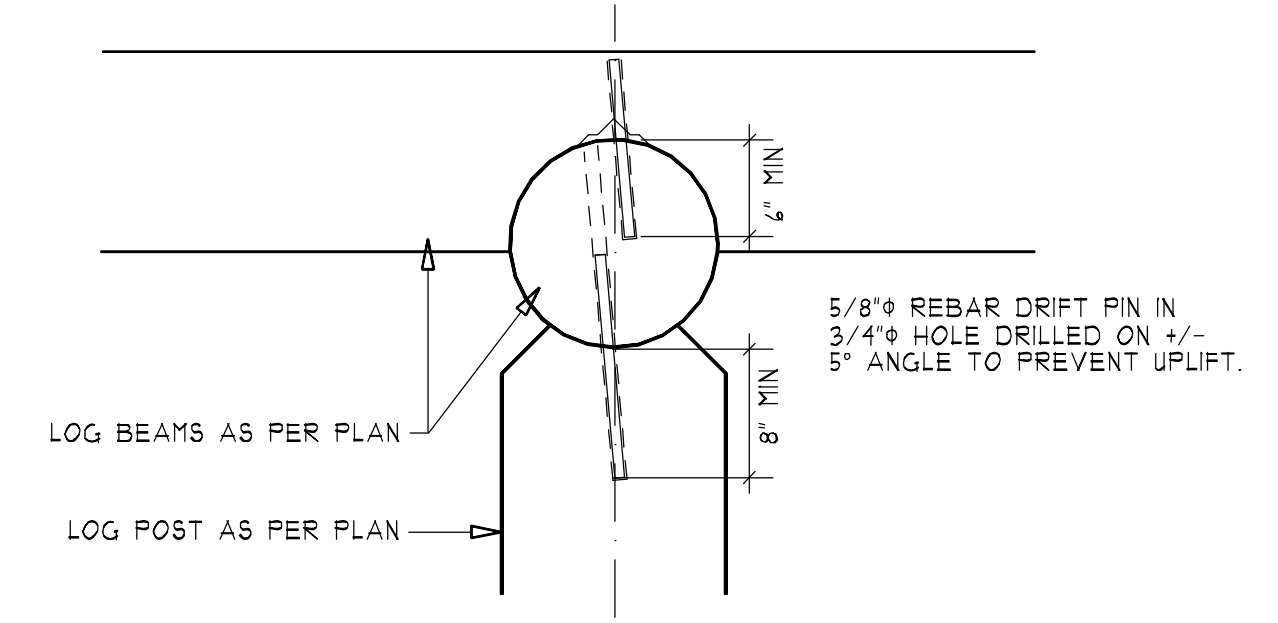
ALL BOTTOM ROUND ANCHORAGE SHOWN MUST TIE DIRECTLY INTO CONCRETE FOUNDATION AS PER DETAIL 5 PAGE W!



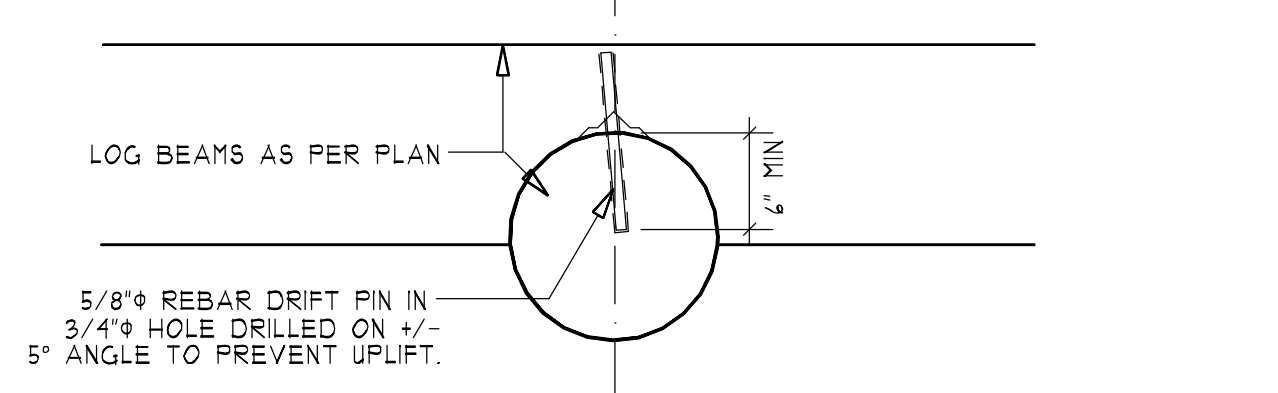
**3 GRID 7 EXTERIOR**  
 W.3 / SCALE: 1/4"=1'-0"



**4 GRID 7 INTERIOR**  
 W.3 / SCALE: 1/4"=1'-0"



**5 TYPICAL LOG BEAM OVER LOG POST**  
 W.3 / SCALE: N.T.S.



**6 TYPICAL LOG BEAM OVER LOG BEAM**  
 W.3 / SCALE: N.T.S.

LOG WALL ELEV'S	
PAGE TITLE	
SCALE	1/4" = 1'-0"
DATE	JAN. 9 2003
DRAWN BY	ROBERT WOOD
CHECKED BY	STEVE HANCOCK

W.3