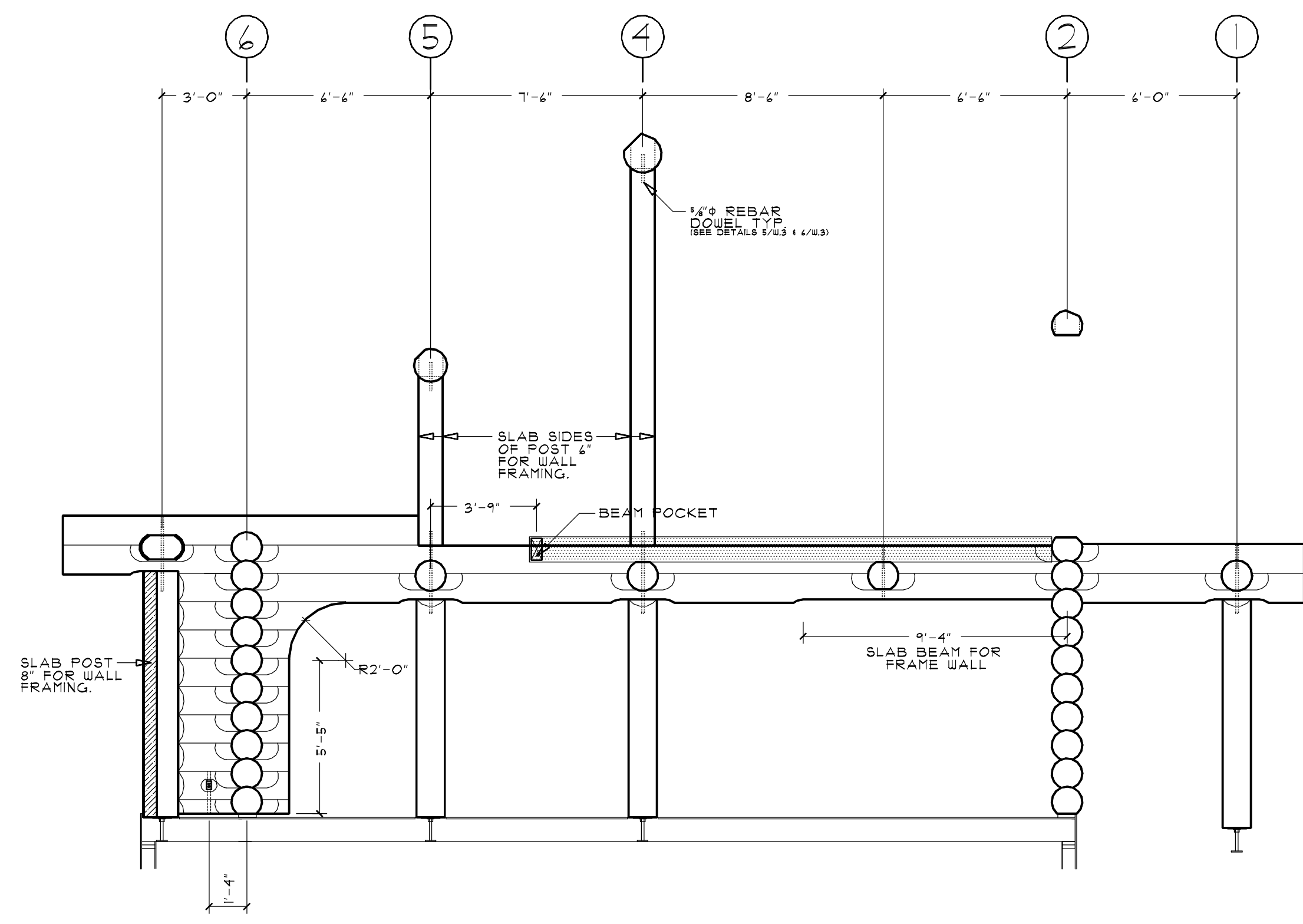
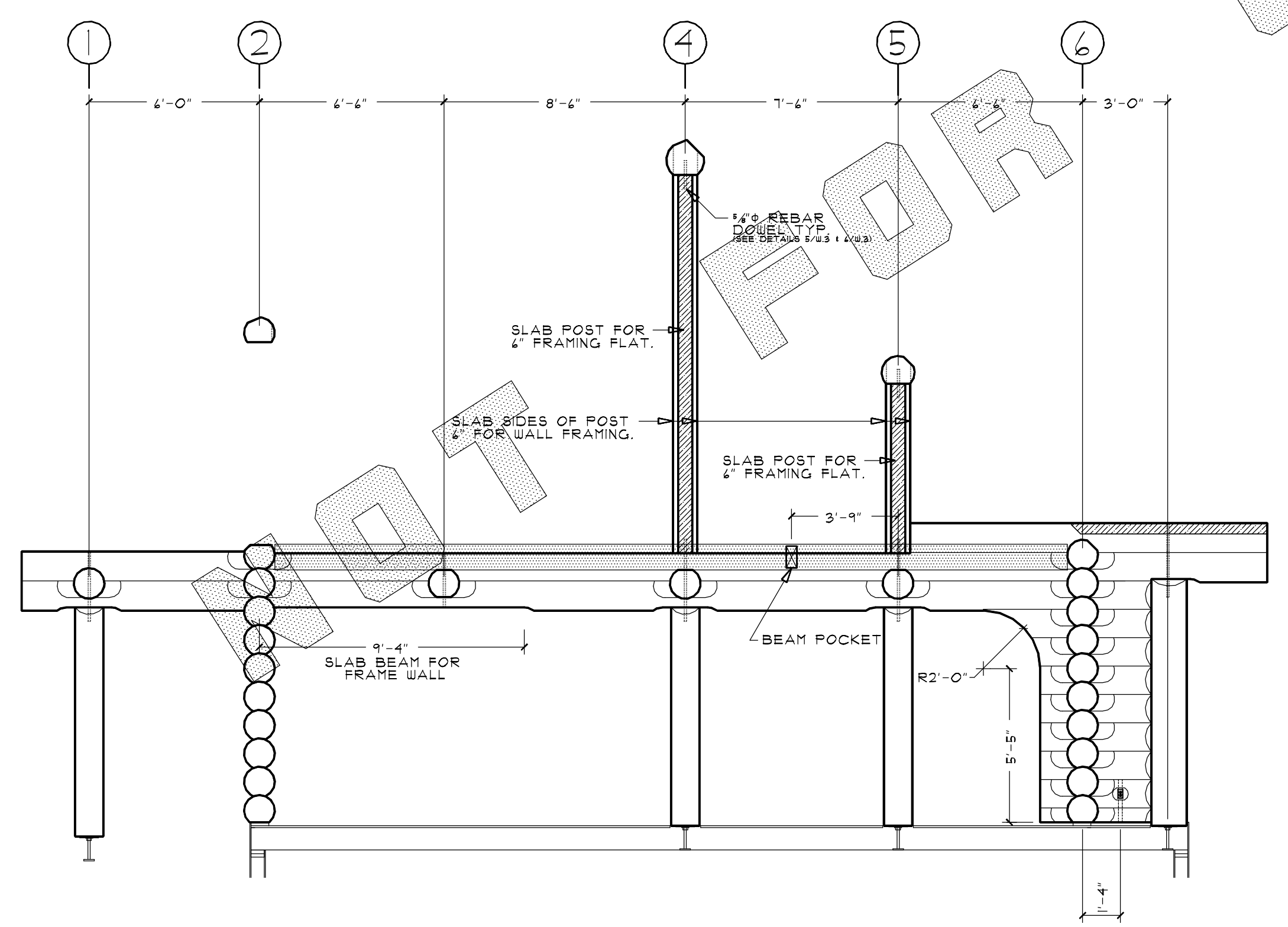


N MUST TIE DIRECTLY  
DETAIL 5 PAGE W1



ISSUED FOR PERMIT	
REVISIONS	
1	4 MARCH 2003
2	17 JUNE 2003
3	
4	
5	

The Log Connection  
100-2008 Elm St  
Perth, BC  
V2A 4L6  
Phone: (250) 770-9031  
Fax: (250) 770-9031  
E-mail: log@thelogconnection.com  
www.thelogconnection.com

**The Log Connection**  
Log Home Design Specialist

LOG WALL ELEV  
PAGE TITLE  
SCALE: 1/4" = 1'-0"  
JAN. 9 2003  
DATE  
ROBERT WOOD  
DRAWN BY  
STEVE HANCOCK  
CHECKED BY

W.4