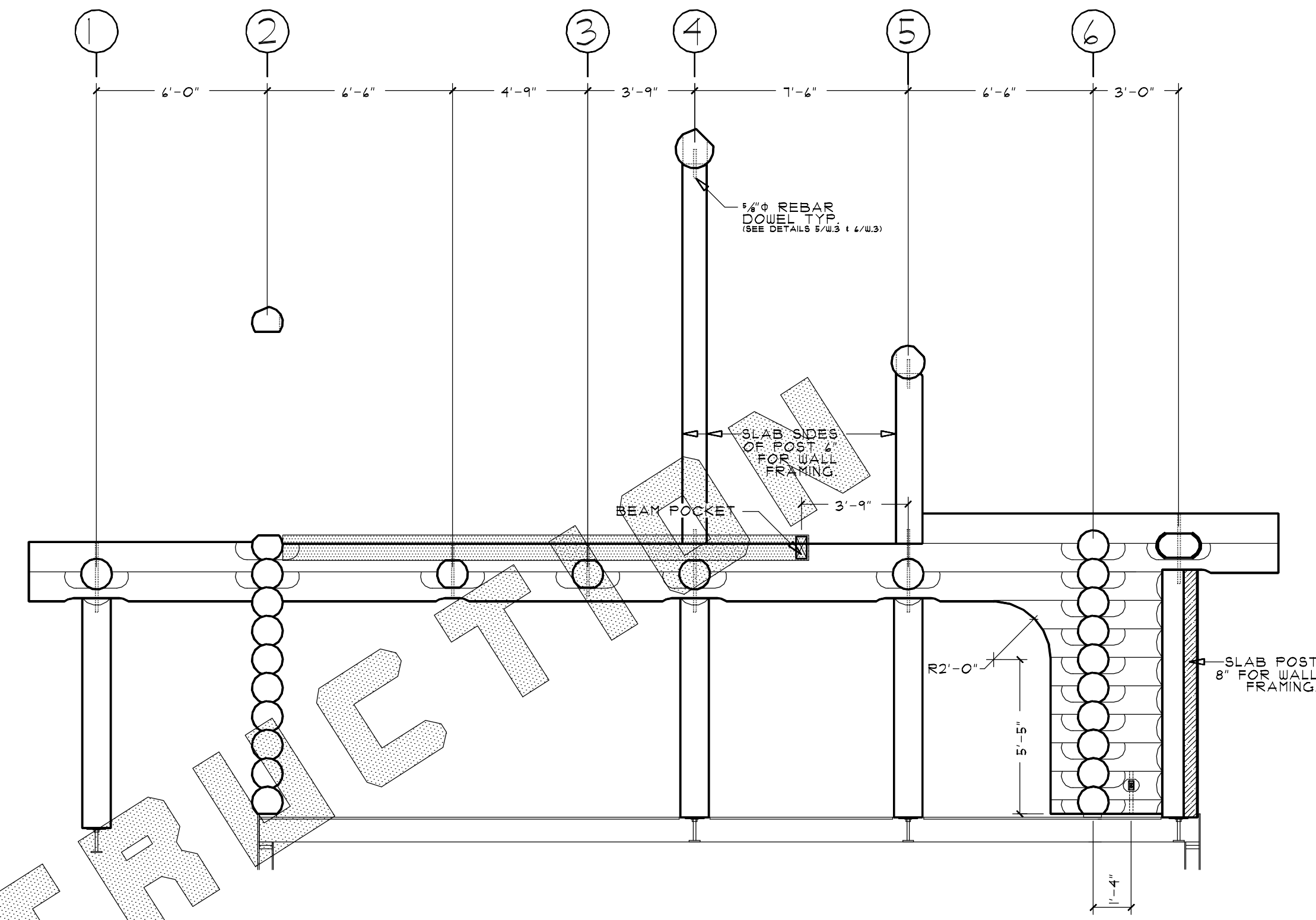
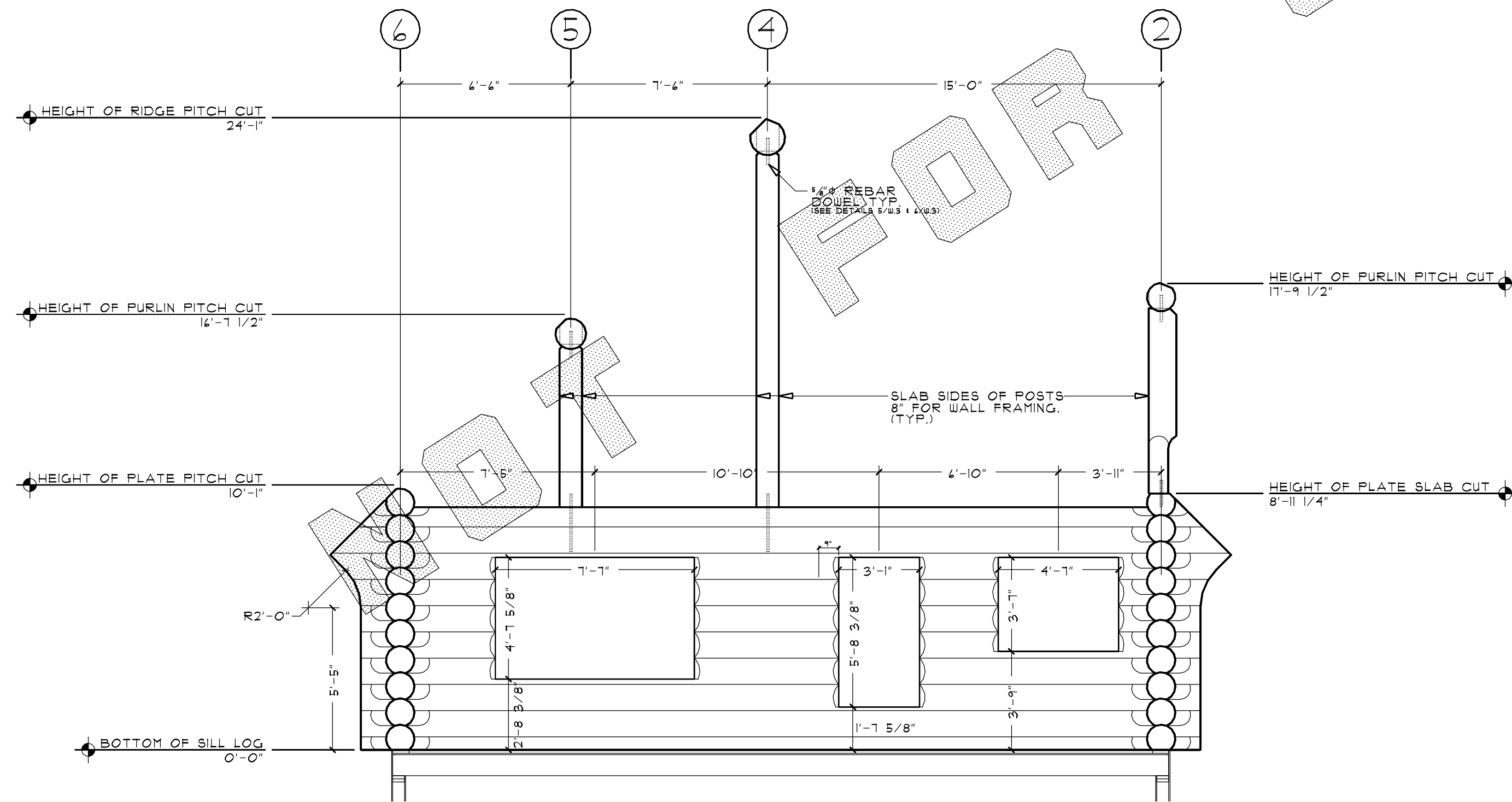


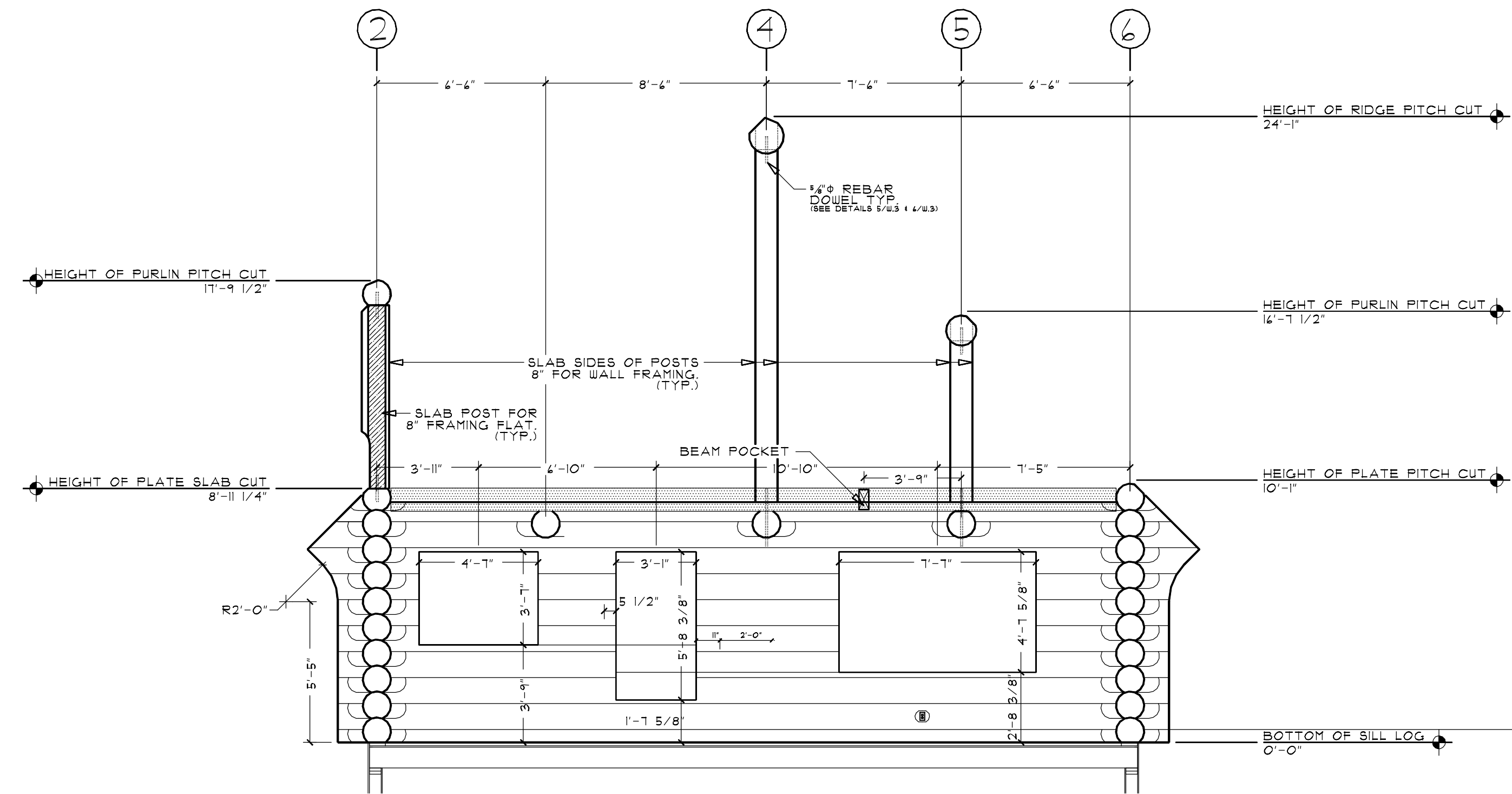
1 GRID E FROM F
SCALE: 1/4"=1'-0"



2 GRID E FROM D
SCALE: 1/4"=1'-0"



3 GRID F EXTERIOR
SCALE: 1/4"=1'-0"



4 GRID F INTERIOR
SCALE: 1/4"=1'-0"

ALL BOTTOM ROUND ANCHORAGE SHOWN MUST TIE DIRECTLY INTO CONCRETE FOUNDATION AS PER DETAIL 5 PAGE III

ISSUED FOR PERMIT	
NO.	DATE
1	4 MARCH 2003
2	11 JUNE 2003
3	
4	
5	

The Log Connection
100-200
Penikese, BC
V2A 4L6
Phone: (250) 770-6031
Fax: (250) 770-6031
E-mail: log@the-logconnection.com
www.the-logconnection.com

The Log Connection
Log Home Design Specialist

LOG WALL ELEVATIONS
SCALE: 1/4"=1'-0"
DATE: JAN. 9 2003
DRAWN BY: ROBERT WOOD
CHECKED BY: STEVE HANCOCK

W.5